

ePCC

Electronic Pre-Chamber Control Valve

Applications

The ePCC (electronic pre-chamber control) valve is a solenoid operated gas admission valve, it serves as an actuator for the admission of gas into a pre-chamber. One ePCC is required for each cylinder.

The valve designed by Hoerbiger ValveTEC replaces conventional prechamber fuel control systems which rely on simple check valves. The ePCC allows improved fuel control as well as reduced down time due to its long life as compared to the conventional check valve.

Specifications

Equivalent Flow Area	0,8mm ²
Steady State Flow-Rate	0.84g/s CNG @
(Contact Hoerbiger for specific application)	P1=4.8barg, P2=ATM
Internal Leakage.....	<0.2% of steady state flow-rate
Nominal Differential Pressure	4,8barg (70psig)
Maximum Differential Pressure	17,2barg (250psig)
Maximum Backfire Pressure Spike	138barg (2000psig)
(without backflowing through valve)	
Maximum Housing Pressure	276barg (4000psig)
(non operating)	
Opening Time of Valve	1ms*
Response Time.....	0,5ms*
Voltage Supply	12–24V
Peak Current	9amps
Hold Current	2amps
*(assumes the use of a HOERBIGER SDM (Solenoid Driver Module))	
(Boost Voltage 90-110V; Peak time 1-1,5ms)	
Max. particle size within fuel gas.....	<5µm
(integrated protection filter: 20µm)	
Max. particle concentration:	1ppm
Ambient Temperature:	-20–150°C (-4–302°F)
Fuel Gas Temperature:	-20–85°C (-4–185°F)

Certificates*:

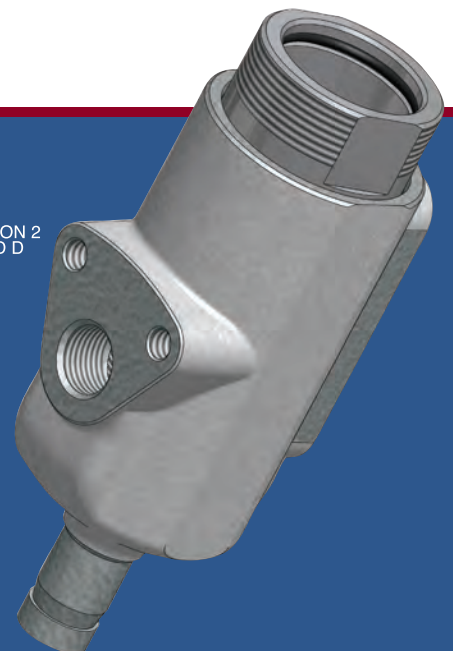
Ex nA IIB:

CSA Class I, Div. 2, Groups C & D

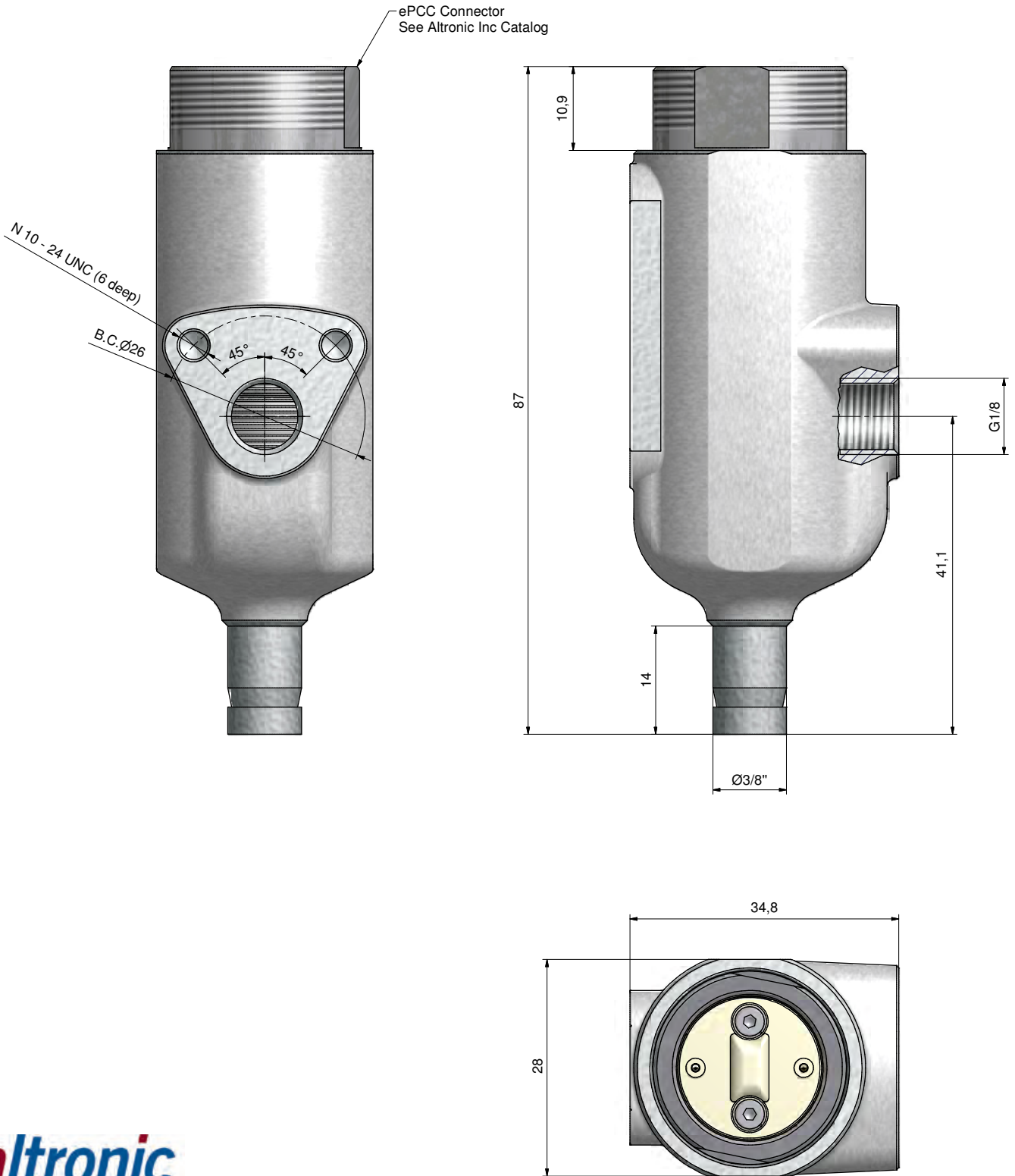
Rated 30Vdc, 3W max.

Temperature Codes T4, Tamb = 85°C; T3, Tamb = 150°C

* Application pending



Dimensions – Valve 1764093



HOERBIGER Ventilwerke GmbH & Co KG
Braunhubergasse 23, 1110 Wien, Austria
Tel. +43 1 74 004 388 / Fax. +43 1 743 42 22 400
E-mail: info-hvt@hoerbiger.com
<http://www.hoerbiger.com>

Form ePCC 11-11 Connector Version ©2011 Altronic, LLC