

CDM-2100

Catalyst Differential Pressure Monitor

- Innovative, bolt-on solution to monitor, protect, and display the differential pressure across a catalyst element
- Incorporates an accurate, cost-competitive differential pressure transmitter
- Simple to configure, operate, and troubleshoot using the integral DSG-1611DUPS
- Housed in a rugged, industrial enclosure

The CDM-2100 Catalyst Differential Pressure Monitor is a rugged, bolt-on solution designed to consistently deliver a highly accurate indication of the pressure drop across a catalyst element. Used as a means of determining performance and associated exhaust constituent conversion, this easily installed and serviced system is suitable for direct installation on the package in both interior and exterior environments.

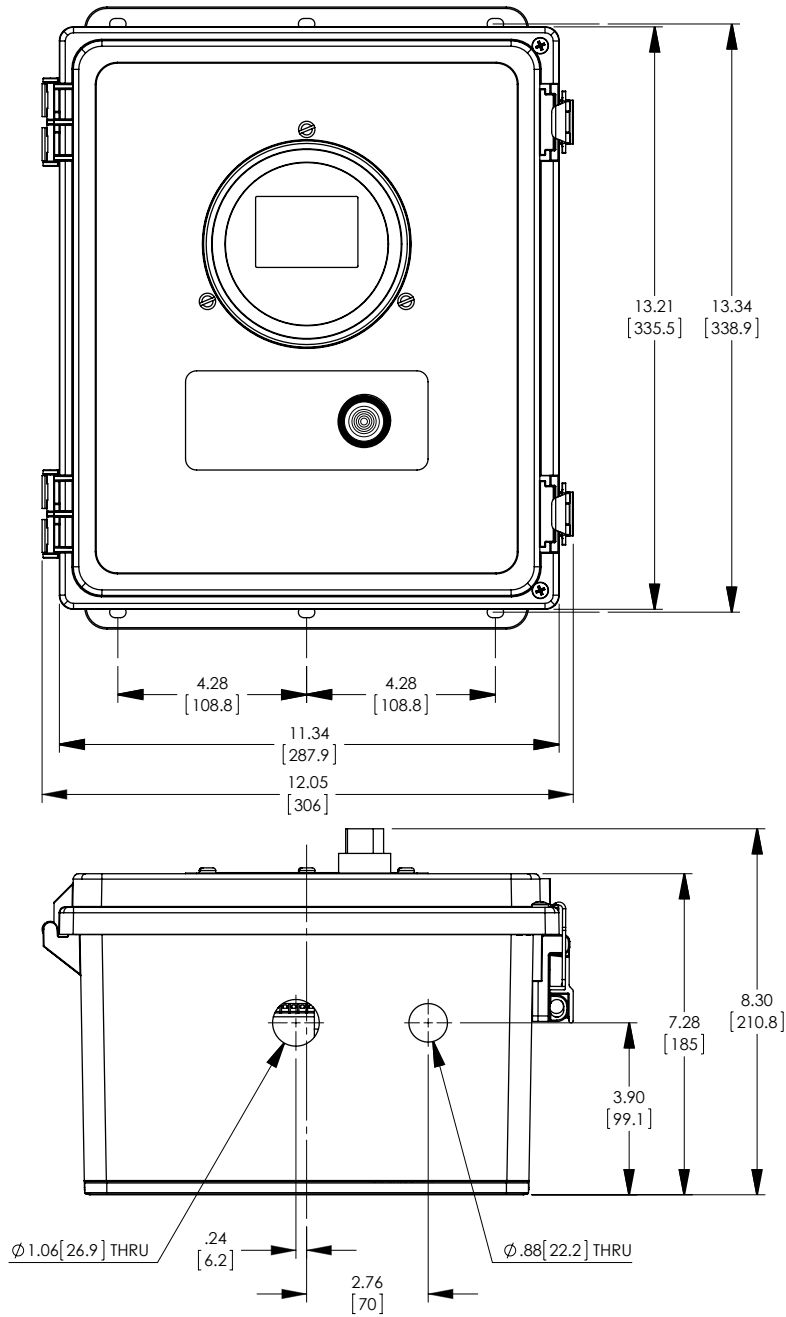
A proven and reliable DSG-1611DUPS Digital Setpoint Gauge is at the heart of the CDM-2100. Its large, ¼ VGA display and embedded menu system allow for simple system configuration, accessibility to operating data, and any troubleshooting that might be required. The pre- and post-catalyst pressures are connected directly to the Differential Pressure Transmitter (shown), with the calculated difference between the two delivered as an input to the CDM-2100 system. This device is also easily installed, operated, and serviced in even the most demanding operating environments. An on-board safety shutdown output is available for connection to an annunciator, controller, or PLC monitoring system to assure safe, trouble-free operation.

For additional detail on the installation or operation of the system, please refer to FORM CDM-2100 OM. This operating manual can be found on the Altronic website (www.altronic-llc.com) as well as the Altronic Mobile App.

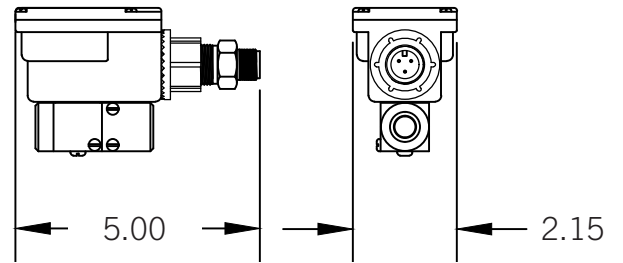


DIMENSIONS

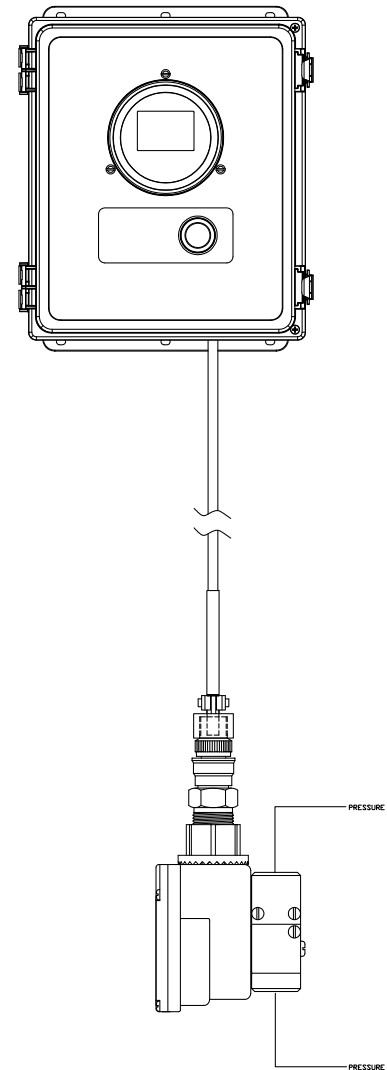
CDM-2100 System



Differential Pressure Transmitter



CDM-2100 System Diagram



TO ORDER

- CDM-2100 System691802-1
- Differential Pressure Transmitter.....691803-14
- Cable Assembly 3 PIN MS
- 60" Cable Length693158-60
- 120" Cable Length693158-120
- 360" Cable Length693158-360

altronic

712 Trumbull Avenue / Girard, Ohio 44420
 (330) 545-9768 / Fax: (330) 545-3231
 www.altronic-llc.com Email: sales@altronic-llc.com

Form CDM-2100 3-21 ©2021 Altronic, LLC