

# 45PHL

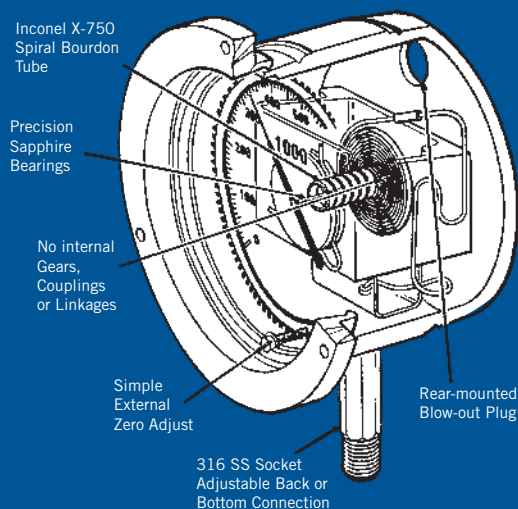
## Pressure Switch-Gauge with High/Low Setpoints

- Superior technology
  - direct drive movement
  - no gears, levers or wearing parts
  - longer life in vibrating environment
  - inherent safety design
  - accessible zero adjustment from face
  - $\pm 1\%$  accuracy
- Corrosion resistant materials
  - plastic case
  - Inconel tube
  - stainless steel socket
- Universal application
  - industry standard 4-1/2" round case
  - adjustable back or bottom connection
  - easy retrofit replacement
  - interchangeable with OPLFC gauges

The Altronic 45PHL series pressure switch-gauges offer a new standard for a mechanical pressure gauge with high/low switch contacts. Utilizing a "direct drive" movement, the antiquated C-bourdon tube used in most other pressure gauges is eliminated as are the gears, links, levers and springs used to connect the C-tube to the indicating pointer. The 45PHL series uses a special helically-wound coil of Inconel, directly connected to the indicating pointer. Fewer parts, fewer problems. The "direct drive" design provides for longer life than even liquid-filled conventional gauges in severe service applications. The basic design is inherently safer due to the very small tube I.D. and a rubber blow-out plug in the rear wall of the case. It is also more resistant to pulsation.

A zero adjustment is accessible from the front of the gauge. Linearity and span are built-in and require no adjustment. Accuracy is  $\pm 1\%$  across the scale. The connection stem is useradjustable for either bottom or back connection. Corrosion resistant materials are used throughout — from the plastic housing to the Inconel helical tube, to stainless steel screws and rivets. The connection socket is also 316 stainless steel — standard.

The features of the Altronic 45PHL series pressure switch-gauges make them ideal for gas compressor and other high pulsation/high vibration use, offering longer life in tough applications. The 4-1/2" round, weather-resistant case fits an industry-standard panel cutout allowing easy replacement of OPLFC gauges.



## Specifications

Accuracy.....± 1% of full scale  
 Max. Pressure Capability .....150% of full scale  
 Ambient Temperature Range.....-65°F to 190°F / -54°C to 88°C  
 Service Media Temperature.....-65°F to 400°F / -54°C to 204°C  
 Setpoint Switch Rating.....0.25 amp @ 125 volts (AC or DC)

### Materials:

Case.....ABS plastic, black  
 Lens.....Polycarbonate  
 Sensing Element .....Inconel X-750  
 Socket and Connecting Tube.....316 Stainless Steel

### Connection Thread:

To 1000 psi .....1/4" NPT  
 1500 to 5000 psi.....1/2" NPT

## To Order

### Pressure Switch-Gauge

30" Hg to 30 psi.....45PHL-30V30  
 30" Hg to 100 psi.....45PHL-30V100  
 0-30 psi .....45PHL-30  
 0-60 psi .....45PHL-60  
 0-100 psi .....45PHL-100  
 0-160 psi .....45PHL-160  
 0-200 psi .....45PHL-200  
 0-300 psi .....45PHL-300  
 0-500 psi .....45PHL-500  
 0-600 psi .....45PHL-600  
 0-1000 psi .....45PHL-1000  
 0-1500 psi .....45PHL-1500  
 0-2000 psi .....45PHL-2000  
 0-3000 psi .....45PHL-3000  
 0-5000 psi .....45PHL-5000

### CAUTION — Use these gauges only with:

1. Altronic or other electronic annunciator
2. C.D. ignition system with 307-PH-CD tattletales
3. DC signal of 24V, 0.5 amp max.

**DO NOT USE 45PHL SWITCH-GAUGES WITH TYPE 101-PH or 307-PH tattletales.**

### PULSATION DAMPENING VALVES

The following valves are available for the 45PHL switch-gauges when used in high pulsation applications:

Steel, 1/4 NPT fitting.....618100-1  
 Stainless, 1/4 NPT fitting .....618100-2

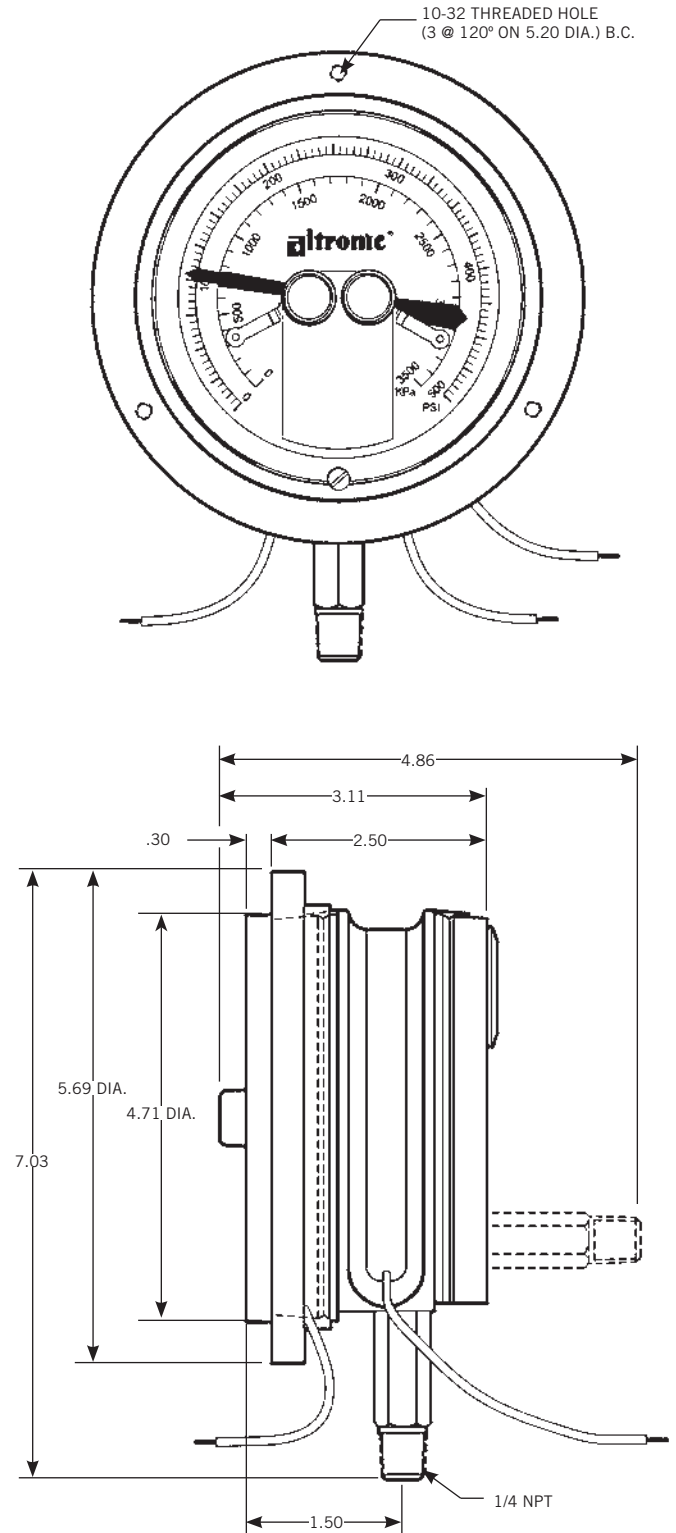
### CLASS I, DIVISION 2, GROUPS C AND D APPLICATION:

Use Altronic annunciator DD-NT, DD-NTS, DE series.

### CLASS I, DIVISION 1, GROUP D APPLICATION:

Use Altronic annunciator DD-NT series with DIV 1, 690-series power supply.

## Dimensions



**altronic**  
 HOERBIGER Engine Solutions

712 Trumbull Avenue, Girard, Ohio 44420  
 (330) 545-9768 / Fax: (330) 545-3231  
 Email: altronic.sales@hoerbiger.com  
 Form 45PHL 7-02 ©2013 Altronic, LLC