



DIGITAL TIMING INDICATOR DI/DIT-1400/3400 SERIES

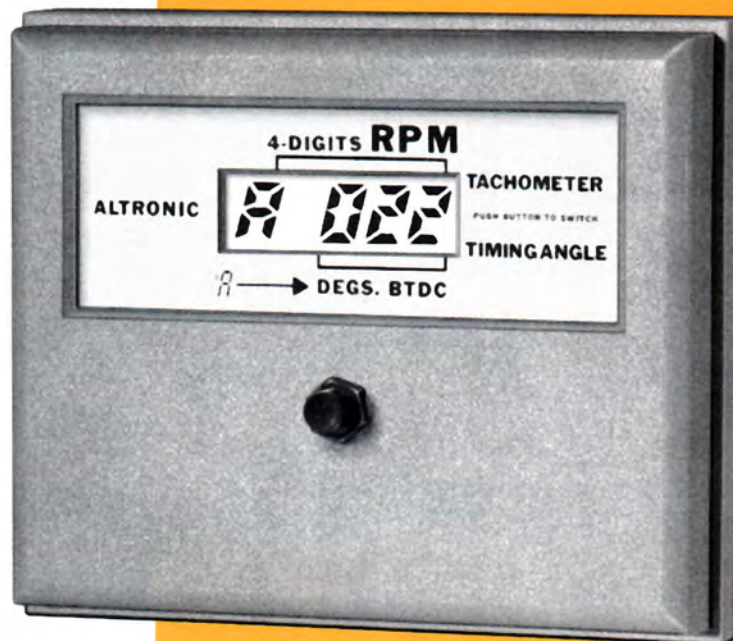
- IMPROVE ENGINE PERFORMANCE WITH ACCURATE IGNITION TIMING INDICATION
- APPLICABLE TO SPARK-IGNITED ENGINES WITH CAPACITOR DISCHARGE IGNITION SYSTEMS
- PRECISE DIGITAL READOUT OF ENGINE TIMING DEGREES
- LCD DISPLAY
- ELIMINATES TIMING LIGHT AND READING ERRORS
- 4 MODELS AVAILABLE

The Altronic DI/DIT solid state, digital timing indicators give a numerical readout of the ignition system timing point in degrees before or after top dead center. Input signals are from no. 1 cylinder and a magnetic pickup to sense a top dead center reference.

The basic timing indicator is available in two case styles: the 1400 series features a weatherproof 4 1/2" round case which fits an industry standard cutout; the 3400 series is packaged in the popular 4.19" x 5" rectangular case.

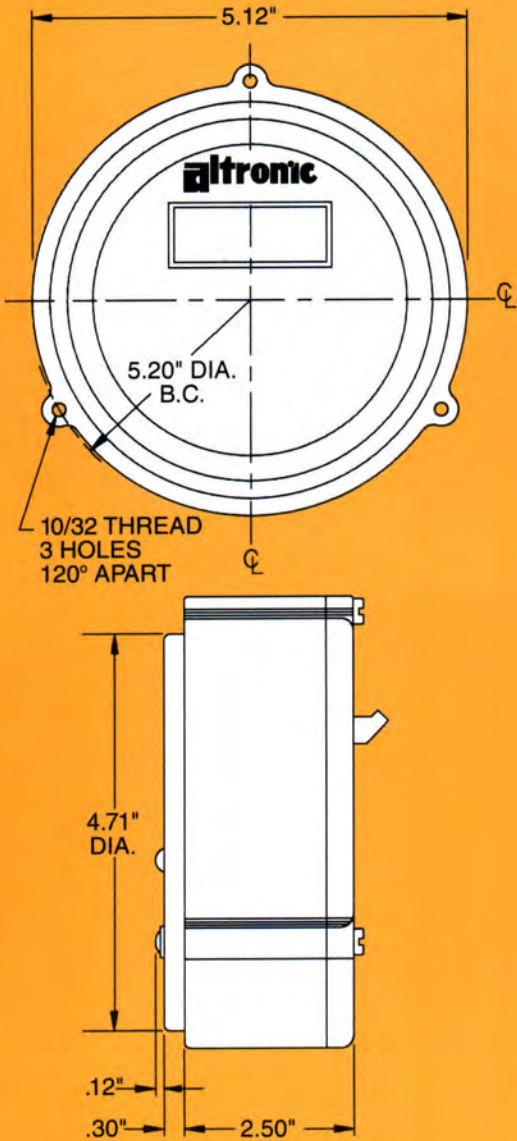
Model DIT-3400 combines a ± 1 rpm tachometer with the timing indicator. A pushbutton on the front case is used to switch the readout between timing degrees and RPM.

NOTE: See also the DSG-1401 microprocessor-based ignition timing indicator series – form DSG-14.

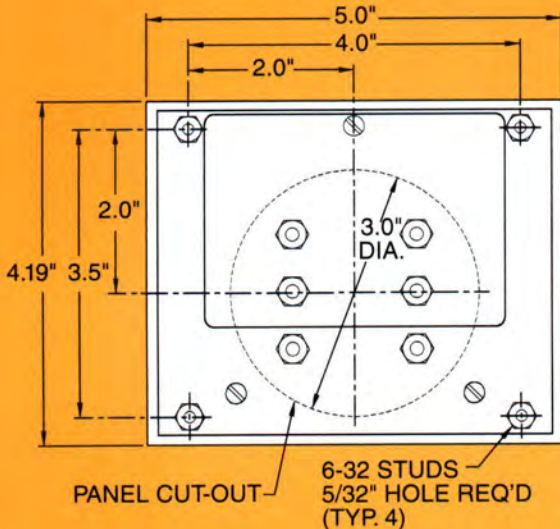


DIMENSIONS

1400 SERIES



3400 SERIES



SPECIFICATIONS

POWER REQUIREMENT:

DI-1400, DI-3400, DIT-3400 C.D. IGNITION SHUTDOWN LEAD

INSTRUMENT DISPLAY:

DI-1400 0.5 INCH HEIGHT LCD
 DI-3400, DIT-3400 0.4 INCH HEIGHT LCD

INSTRUMENT RANGE

DI-1400 45° BTDC TO 45° ATDC
 DI-3400, DIT-3400 360 DEGREES

INSTRUMENT READOUT

INCREMENT 1 DEGREE

AMBIENT TEMPERATURE

RANGE. -40°F. TO +175°F. / -40°C. TO +80°C.

TO ORDER

MODEL	1400 SERIES	3400 SERIES
CASE STYLE	4 1/2" ROUND	4.19" X 5" RECTANGULAR
TIMING INDICATOR	DI-1400	DI-3400
TIMING INDICATOR WITH TACHOMETER	—	DIT-3400

NOTE: For slow speed engines, the DSG-1401 series is recommended.

CLASS I, DIVISION 1, GROUP D ENCLOSURE:

Add -X to part number. Example: DI-1400-X

TDC MAGNETIC PICKUP — 5/8"-18 THREAD

1.75" threaded length 691 118-1
 2.50" threaded length 691 118-2
 3.00" threaded length 691 118-3
 4.50" threaded length 691 118-4
 6.00" threaded length 691 118-6

CABLE ASSEMBLY — MAGNETIC PICKUP

10 ft. cable length 693 104-1
 20 ft. cable length 693 104-2
 30 ft. cable length 693 104-3
 40 ft. cable length 693 104-4
 50 ft. cable length 693 104-5

altronic[®]
inc.

712 TRUMBULL AVE. / GIRARD, OHIO 44420
 PHONE: (330) 545-9768 / FAX: (330) 545-9005