

- DIGITAL READOUT
LARGE 0.4" DIGITS
- QUARTZ CRYSTAL TIME BASE
NO FIELD CALIBRATION REQUIRED
- OPERATES FROM MAGNETIC
PICK-UP
- INTRINSICALLY SAFE
- TEMPERATURE RANGE 0°F. TO 175°F.
- 4 MODELS

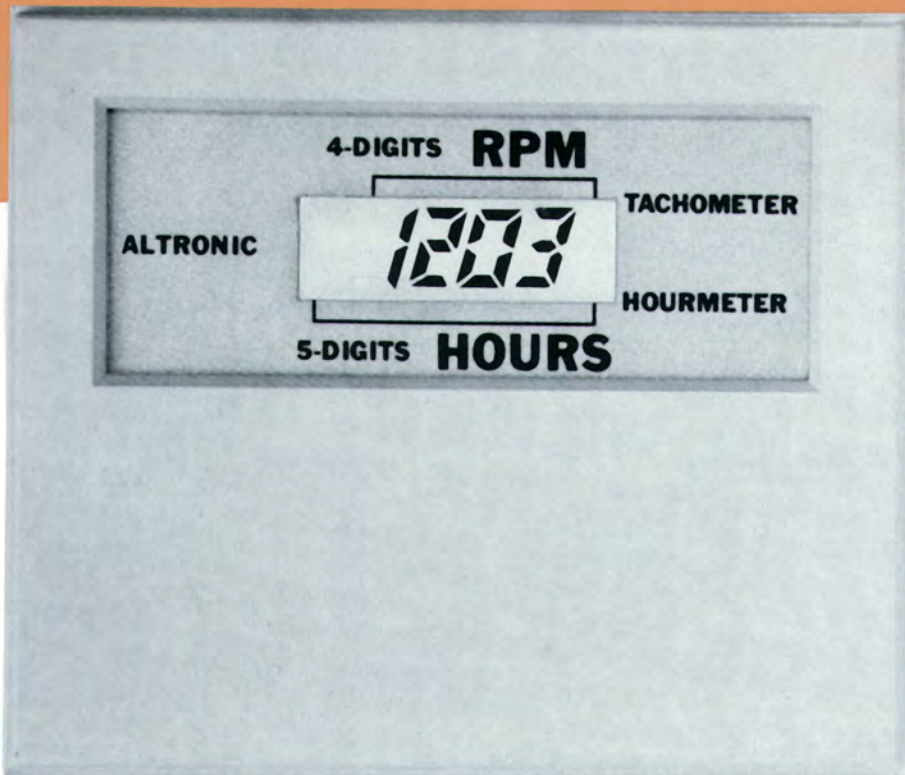
altronic®

DIGITAL TACHOMETER W/ HOURMETER & OVERSPEED OPTIONS PICK-UP POWERED SERIES

U.S. Patent 4,181,883



CERTIFIED INTRINSICALLY SAFE
CLASS I, GROUPS A, B, C, D



TACHOMETER

1 RPM increment readout
Update time crystal controlled

HOURMETER

Hours displayed every 64 seconds
1 hour increment readout
100,000 hour range
Reset switch on back of unit

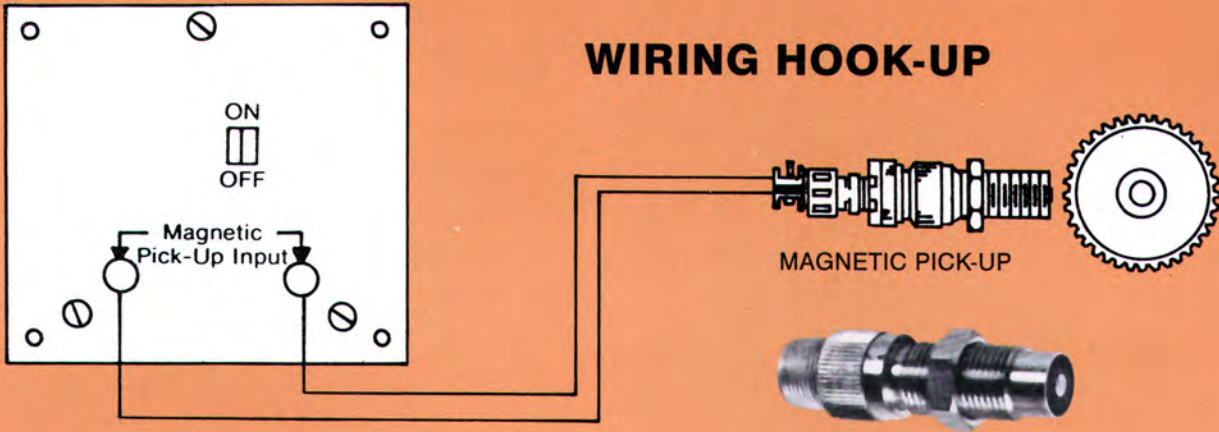
OVERSPEED TRIGGER-OPTION

Digital counting circuit
Reaction time .03 to .25 seconds
Solid state switch output
Two electrically isolated terminals

Solid state, digital tachometer/hourmeter operates directly from a magnetic pick-up with no other power source required. The unit displays engine RPM (4 digits) and cumulative running hours (5 digits). Options include a 5-digit RPM readout and an electronic overspeed trigger.

The magnetic pick-up can be powered from the engine flywheel ring gear or other accessory gear. Any number of teeth can be accommodated by the tach's digital up-date time selection. Altronic magnetic pick-ups combine intrinsic safety with high sensitivity.

WIRING HOOK-UP



MODELS

| | |
|-----------|--|
| PT-2100 | Digital Tachometer |
| PTH-2100 | Digital Tachometer/Hourmeter |
| PTO-2100 | Digital Tachometer w/ Overspeed Trigger |
| PTHO-2100 | Digital Tachometer/Hourmeter w/ Overspeed Trigger |

MAGNETIC PICK-UPS

**CSA CERTIFIED CLASS I, GROUPS A, B, C, D
INTRINSICALLY SAFE, HIGH SENSITIVITY**

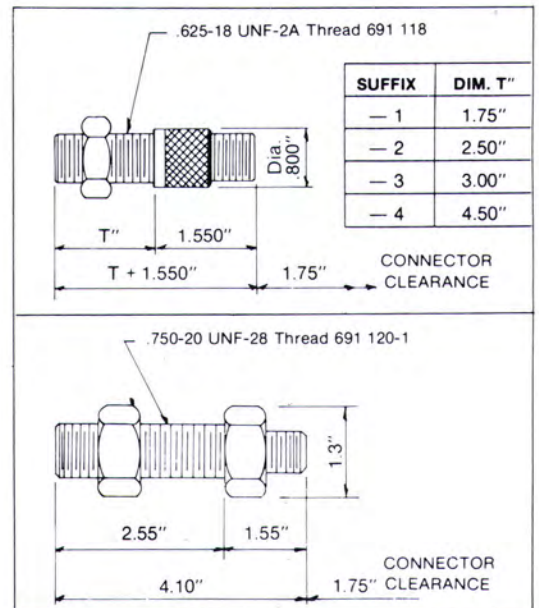
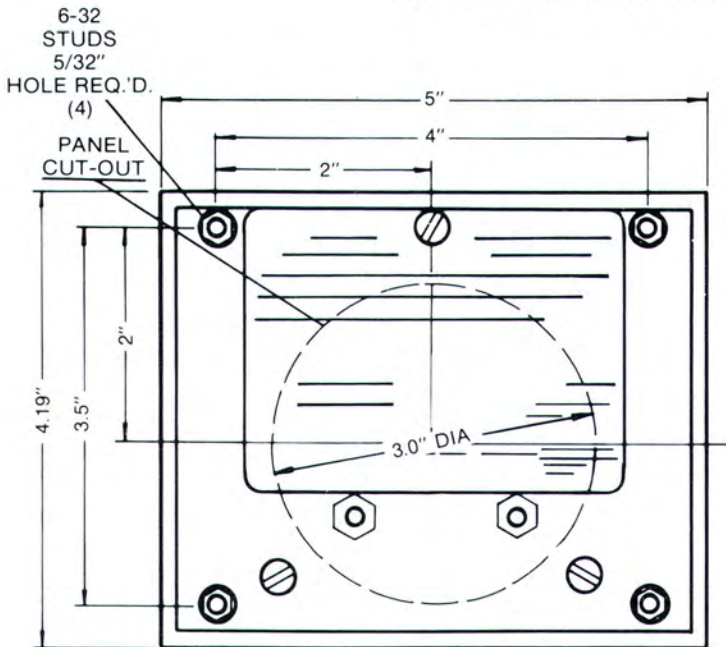
691 118 SERIES - 5/8-18 THREAD

691 120 SERIES - 3/4-20 THREAD

693 104 SERIES - Cable assembly

Other magnetic pick-up models
available upon request.

MOUNTING DIMENSIONS



**altronic[®]
inc.**

712 TRUMBULL AVE • GIRARD, OH 44420 • (330) 545-9768 • FAX: (330) 545-9005