



DIGITAL HOURMETER DH-100A SERIES

- APPLICABLE TO ALL ENGINES, MOTORS AND PROCESSES
- OPERATES FROM C.D. IGNITION, AC OR DC POWER, MAGNETIC PICKUP
- DIGITAL LCD READOUT—EASILY READABLE OUTDOORS
- QUARTZ CRYSTAL ACCURACY AND SOLID-STATE RELIABILITY
- COUNT CAN BE PRESET TO ANY NUMBER OR RESET TO ZERO
- PUSHBUTTON RECALL OF HOURS WHEN POWER IS OFF



This solid-state, digital hourmeter operates directly from capacitor-discharge ignition systems, 8 to 440 volts AC or DC, or intrinsically-safe magnetic pickups. The unit is designed to withstand vibration and give years of continuous service, eliminating the problems associated with mechanical units. Power consumption is negligible (microamperes) and the hourmeter is applicable to any process. Switches on the back of the unit allow the hour count to be preset to any number or reset to zero. When the power is off, the accumulated count is retained and the readout can be obtained by depressing the button on the front case.

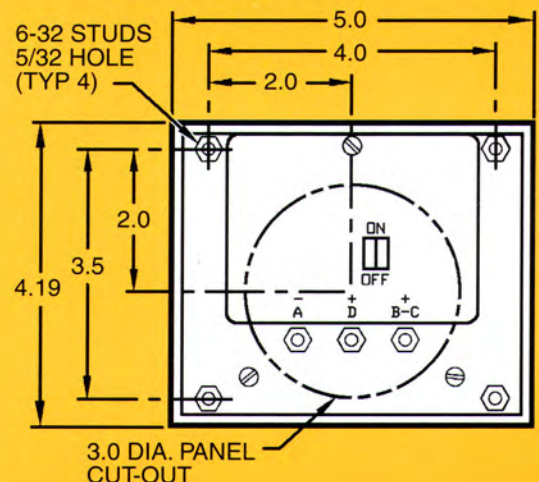
SPECIFICATIONS

INPUT VOLTAGE	8-440V, AC or DC
READOUT	5 DIGIT LCD 100,000 HOUR RANGE IN 1 HOUR INCREMENTS
TEMPERATURE	-40° F. to 175° F. -40° C. to 80° C.



CERTIFIED
CLASS I,
DIVISION I AND 2,
GROUP D

DIMENSIONS



712 TRUMBULL AVE / GIRARD, OH 44420
(330) 545-9768 / FAX: (330) 545-9005