

SPECIFICATIONS:

SUPPLY VOLTAGE: 5 TO 8 VOLTS D.C.

SUPPLY CURRENT: 50 mA. MAX.

OUTPUT VOLTAGE @ 5 ma.: SUPPLY VOLTAGE MINUS 1.0 VOLT MAX.

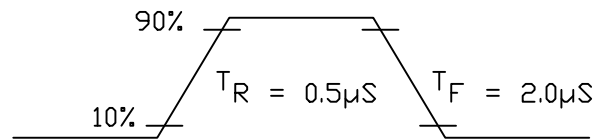
OUTPUT CURRENT SOURCING: 10 mA. MAX.

STORAGE AND OPERATING TEMP.: -40°C TO +125°C
-40°F TO +257°F

ENCAPSULATED IN GLASS-FILLED EPOXY SUITABLE FOR ENGINE OIL OR OTHER NON-CONDUCTIVE MEDIA ONLY.

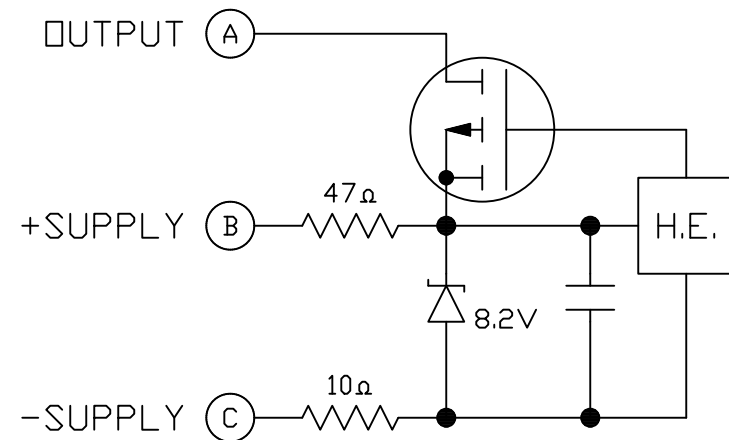
MAXIMUM OPERATING PRESSURE: 50 psi DIFFERENTIAL

TYPICAL OUTPUT WAVEFORM

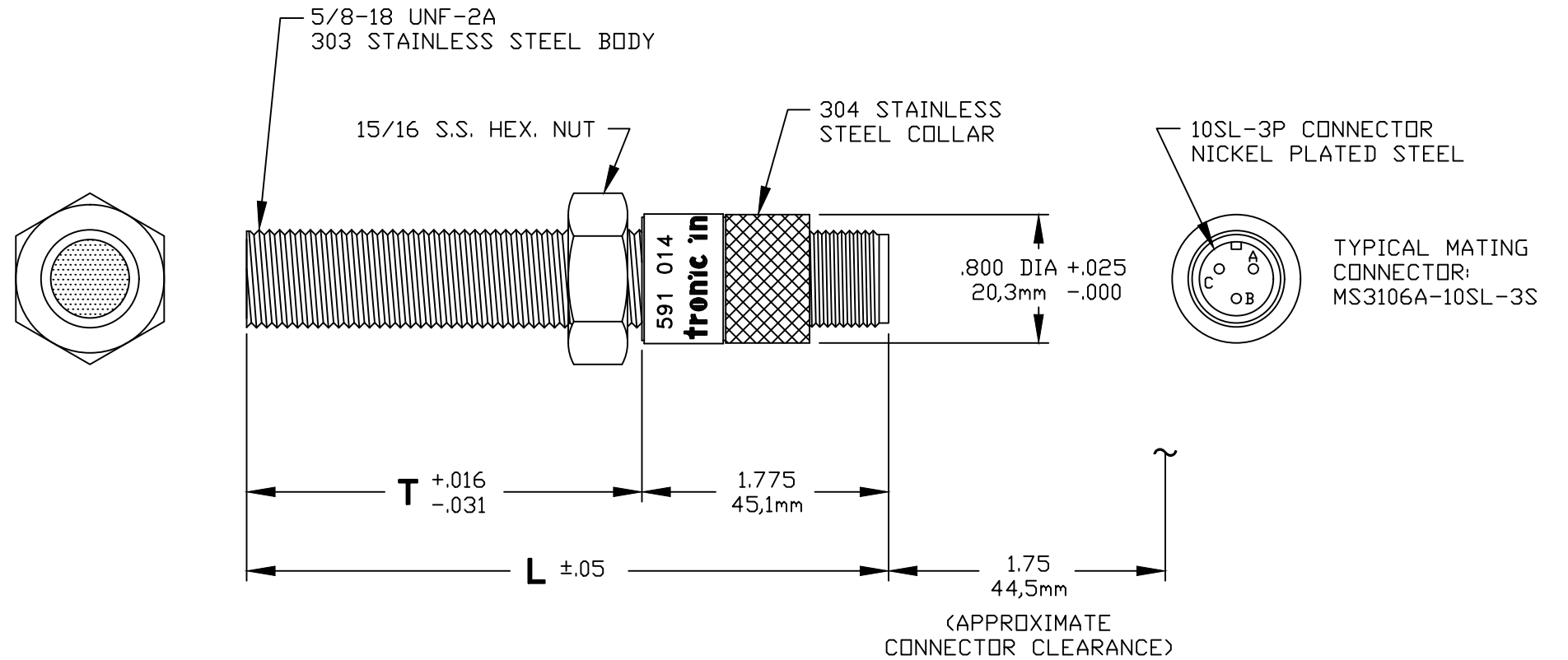


TRIGGERED BY THE NORTH POLE OF MAGNET 5 VOLT SUPPLY 1KΩ LOAD

SCHEMATIC



ALTRONIC P/N	T	L
591014-2	2.50"/63,5mm	4.275"/108,59mm
591014-4	4.50"/114,3mm	6.275"/159,39mm



NOTE:

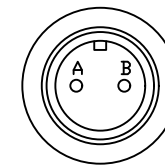
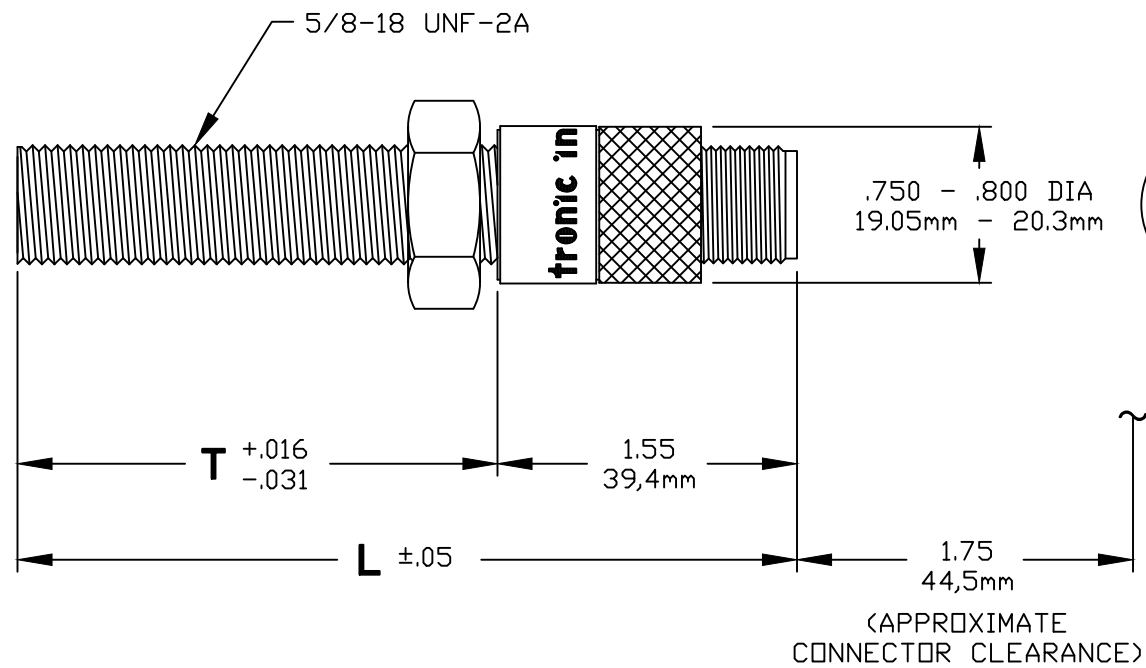
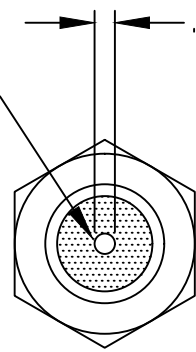
1. NORTH POLE OF MAGNET MUST FACE SENSING END WITH AIR GAP OF .030/.040 (.76/1,0).
2. CENTERLINE OF MAGNET'S ROTATION MUST RUN THROUGH CENTERLINE OF PICKUP.

REVISIONS

NO.	DATE	BY	DESCRIPTION
1	10-8-90	WTP	REDRAWN ON CAD
2	8-6-92	WTP	UPDATED TITLE
3	11-5-96	WTP	ECN 960134
4	9-2-97	WTP	ECN 970105
5	10-29-20	JFD	ECN 200069 R1

TOLERANCES (EXCEPT AS NOTED)		TITLE	
DECIMAL		SALES DRAWING, HALL EFFECT PICKUP	
FRACTIONAL		DRAWN BY DWA	SCALE FULL
MATERIAL		CHECKED BY	DATE 1-26-88
		APPROVED BY	DRAWING NUMBER 591014-S

POLARITY OF MAGNET IS NORTH POLE THIS END

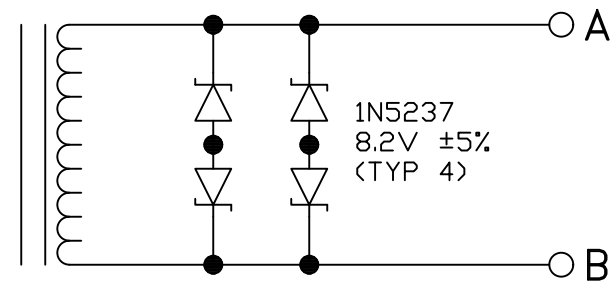


***NOTE:**

ELECTRICAL VALUES GIVEN ARE ABSOLUTE RATINGS ASSURED 100% BY TEST.
 POLARITY: PIN "B" POSITIVE WITH RESPECT TO PIN "A" WITH THE APPROACH OF A FERROUS TARGET.
 POLARITY: PIN "B" NEGATIVE WITH RESPECT TO PIN "A" WITH THE APPROACH OF A NORTH POLE MAGNET.

ELECTRICAL DATA *	
NOMINAL COIL INDUCTANCE	500 mH ±10%
NOMINAL COIL RESISTANCE	1500Ω ±5%

TEMPERATURE SPECIFICATION	
OPERATING TEMPERATURE	-40 TO 107°C
STORAGE TEMPERATURE	-73 TO 107°C



ALTRONIC P/N	T	L
691118-1	1.75"/44,5mm	3.30"/83.3mm
691118-2	2.50"/63,5mm	4.05"/102.8mm
691118-3	3.0"/76.2mm	4.55"/115.6mm
691118-4	4.5"/114.3mm	6.05"/153.7mm
691118-6	6.0"/152.4mm	7.55"/191.8mm

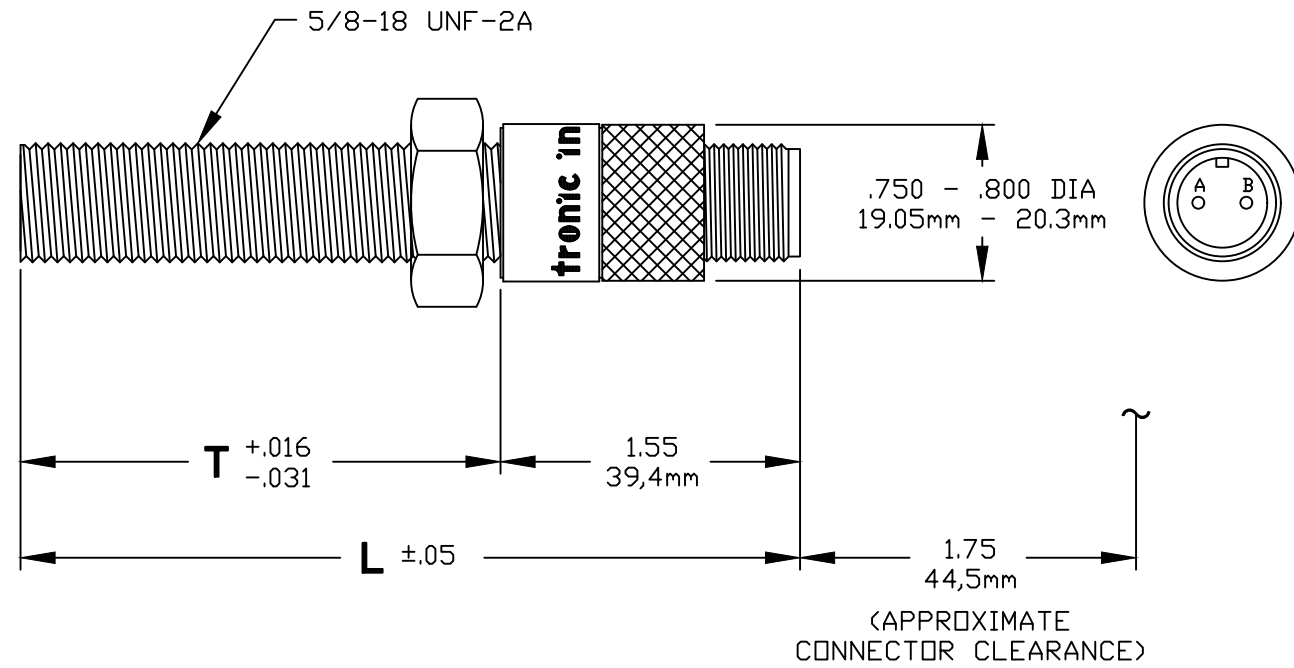
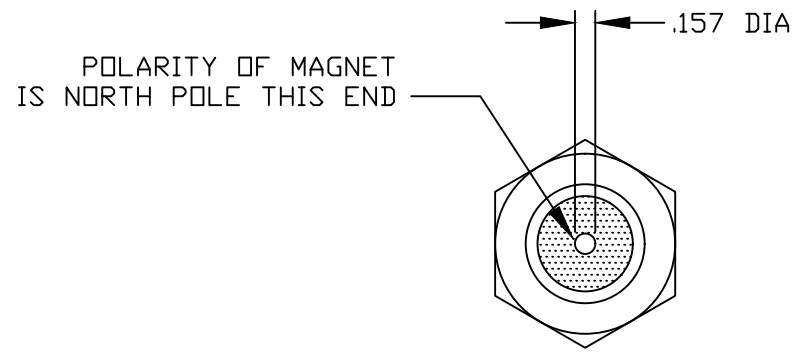
REVISIONS			
REV	DATE	BY	DESCRIPTION
9	6-15-10	WTP	ECN 100000
10	12-22-15	WTP	ECN 150112
11	03-01-16	GET	ECN 160023
12	06-09-16	GET	ECN 160050
13	10-16-20	JFD	ECN 200087

CONFIDENTIAL-
 Copyright Altronic, LLC
 All rights reserved. May not be copied in whole or in part without prior written permission from Altronic, LLC.

TOLERANCES (EXCEPT AS NOTED)
DECIMAL: .XXX - ±.005 .XX - ±.010
SCALE: 1:1

		Drawn In AutoCad	
TITLE MAGNETIC PICKUP			
DRAWN BY	DWA	DATE	3-16-81
CHECKED BY		DATE	
APPROVED BY		DATE	
			691118

691118



***NOTE:**

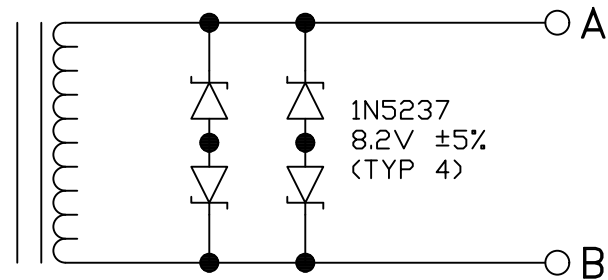
ELECTRICAL VALUES GIVEN ARE ABSOLUTE RATINGS ASSURED 100% BY TEST.

POLARITY: PIN "B" POSITIVE WITH RESPECT TO PIN "A" WITH THE APPROACH OF A FERROUS TARGET.

POLARITY: PIN "B" NEGATIVE WITH RESPECT TO PIN "A" WITH THE APPROACH OF A NORTH POLE MAGNET.

ELECTRICAL DATA *	
NOMINAL COIL INDUCTANCE	500 mH ±10%
NOMINAL COIL RESISTANCE	1500Ω ±5%

TEMPERATURE SPECIFICATION	
OPERATING TEMPERATURE	-40 TO 107°C
STORAGE TEMPERATURE	-73 TO 107°C

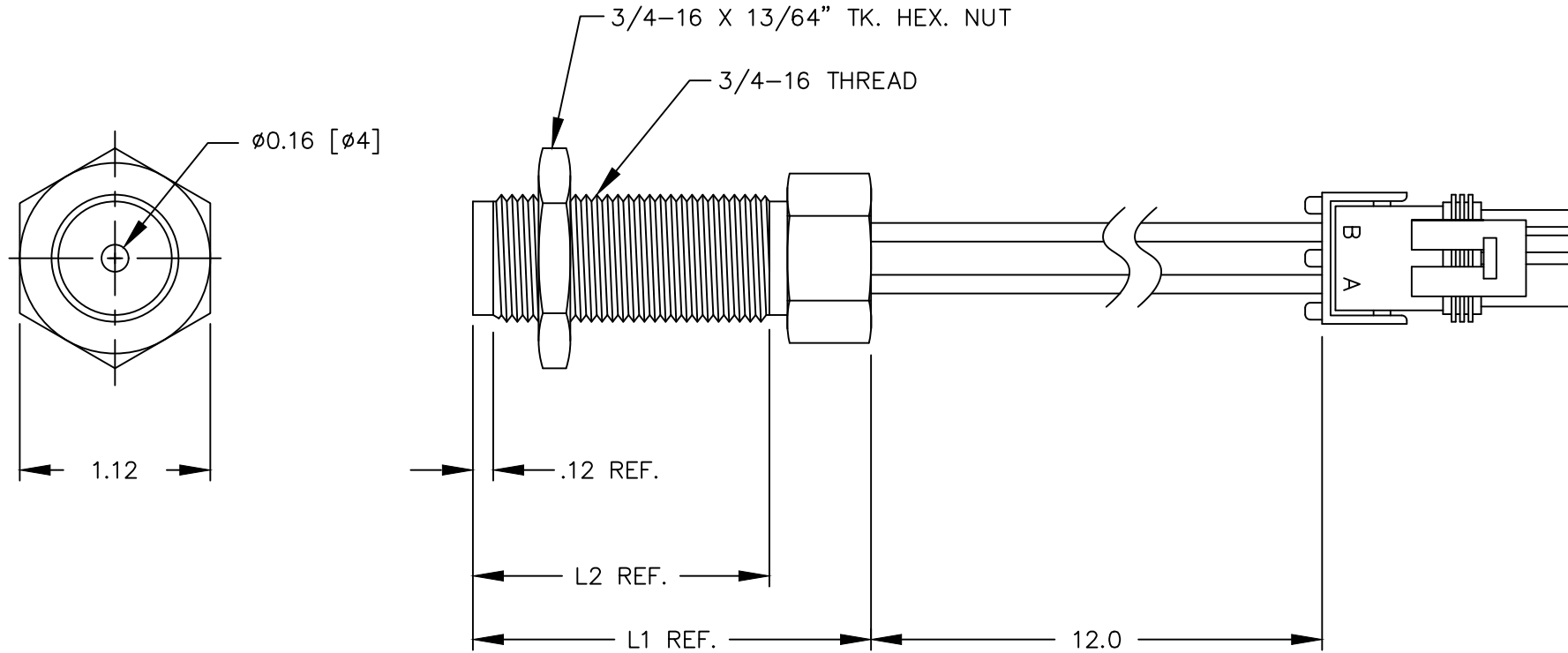


ALTRONIC P/N	T	L
691118-1	1.75"/44.5mm	3.30"/83.3mm
691118-2	2.50"/63.5mm	4.05"/102.8mm
691118-3	3.0"/76.2mm	4.55"/115.6mm
691118-4	4.5"/114.3mm	6.05"/153.7mm
691118-6	6.0"/152.4mm	7.55"/191.8mm

REVISIONS				TOLERANCES (EXCEPT AS NOTED)						
NO.	DATE	BY	DESCRIPTION	DECIMAL .XXX - ±.005 .XX - ±.010	FRACTIONAL				TITLE	
6	8-7-92	WTP	UPDATED			MAGNETIC PICKUP				
7	12-5-01	WTP	ECN 010000			SALES DRAWING				
8	2-3-06	VWE	ECN 060000			DRAWN BY	DWA	SCALE	FULL	DRAWING NUMBER 691118-S
9	6-15-10	WTP	ECN 100000			CHECKED BY		DATE	3-16-81	
10	3-9-21	JFD	ECN 200087			APPROVED BY				

691118-S

791015



PART NO.	L1	L2
791015-1	2.35	1.75

SPECIFICATIONS:

PRECISION ELECTRODYNAMICS PART NUMBER: ALAM 101
 RESISTANCE: 2500 Ω ± 300 Ω
 TEMPERATURE: -40°C TO 107°C OPERATING
 PACKARD WEATHERPACK CONNECTOR 120 157 92.
 TERMINALS PACKARD 120 101 82.
 POLARITY: B TERMINAL POSITIVE ON APPROACH OF METAL.
 MAGNET: N-POLE FACING TARGET

REVISIONS

NO.	DATE	BY	DESCRIPTION
1	3-25-91	WTP	ADDED NUT AND LABEL
2	2-4-94	WTP	ECN 940012
3	7-17-01	WTP	ECN 010059
4	10-14-02	WTP	ECN 020045
5	2-8-21	JFD	ECN 210010

TOLERANCES
(EXCEPT AS NOTED)

DECIMAL
 .XXX - ±.005
 .XX - ±.010

FRACTIONAL

MATERIAL

altronic

TITLE

PICKUP SENSOR

DRAWN BY WTP

SCALE FULL

DRAWING NUMBER

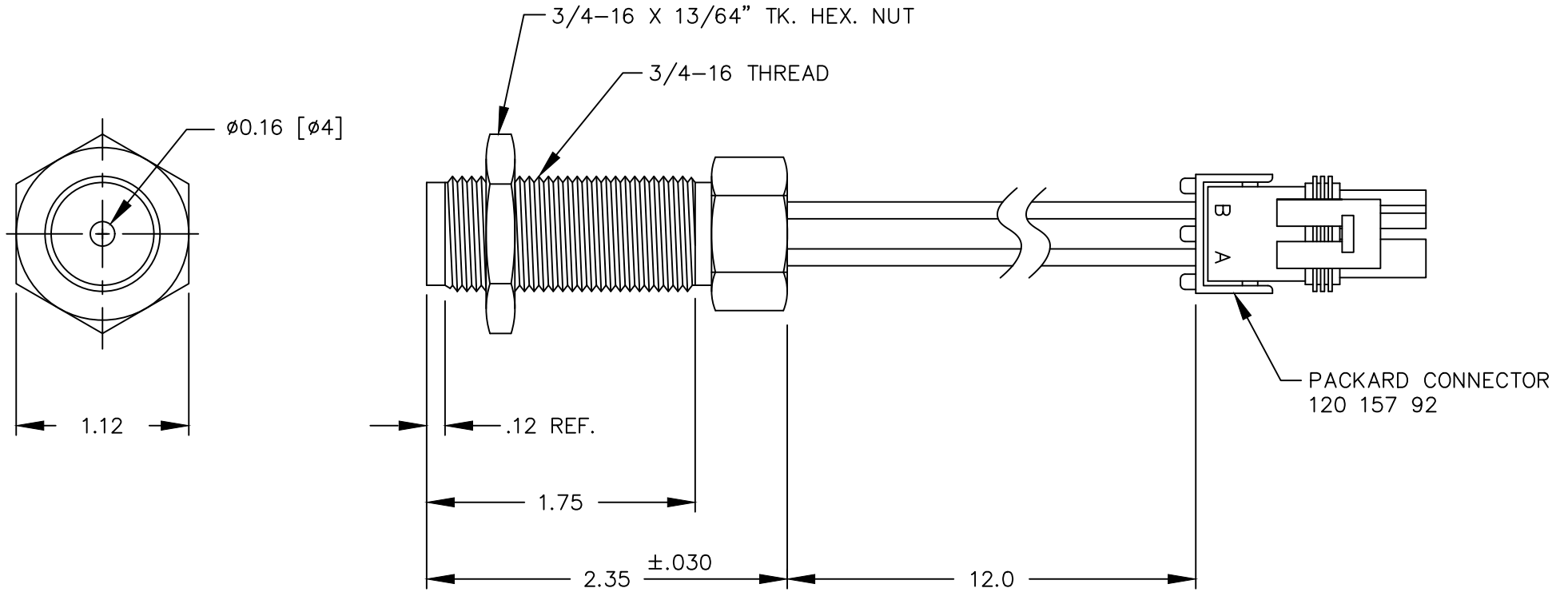
CHECKED BY

DATE 2-28-91

APPROVED BY

791015

791015-1S



RESISTANCE: $2500 \Omega \pm 300 \Omega$
 TEMPERATURE: -40°C TO 107°C OPERATING
 POLARITY: B TERMINAL POSITIVE ON APPROACH OF METAL.
 MAGNET: N-POLE FACING TARGET.

REVISIONS

NO.	DATE	BY	DESCRIPTION
1	3-26-91	WTP	ADDED NUT
2	7-13-01	WTP	ECN 010059
3	10-14-02	WTP	ECN 020045
4	2-8-21	JFD	ECN 210010
5			

TOLERANCES
(EXCEPT AS NOTED)

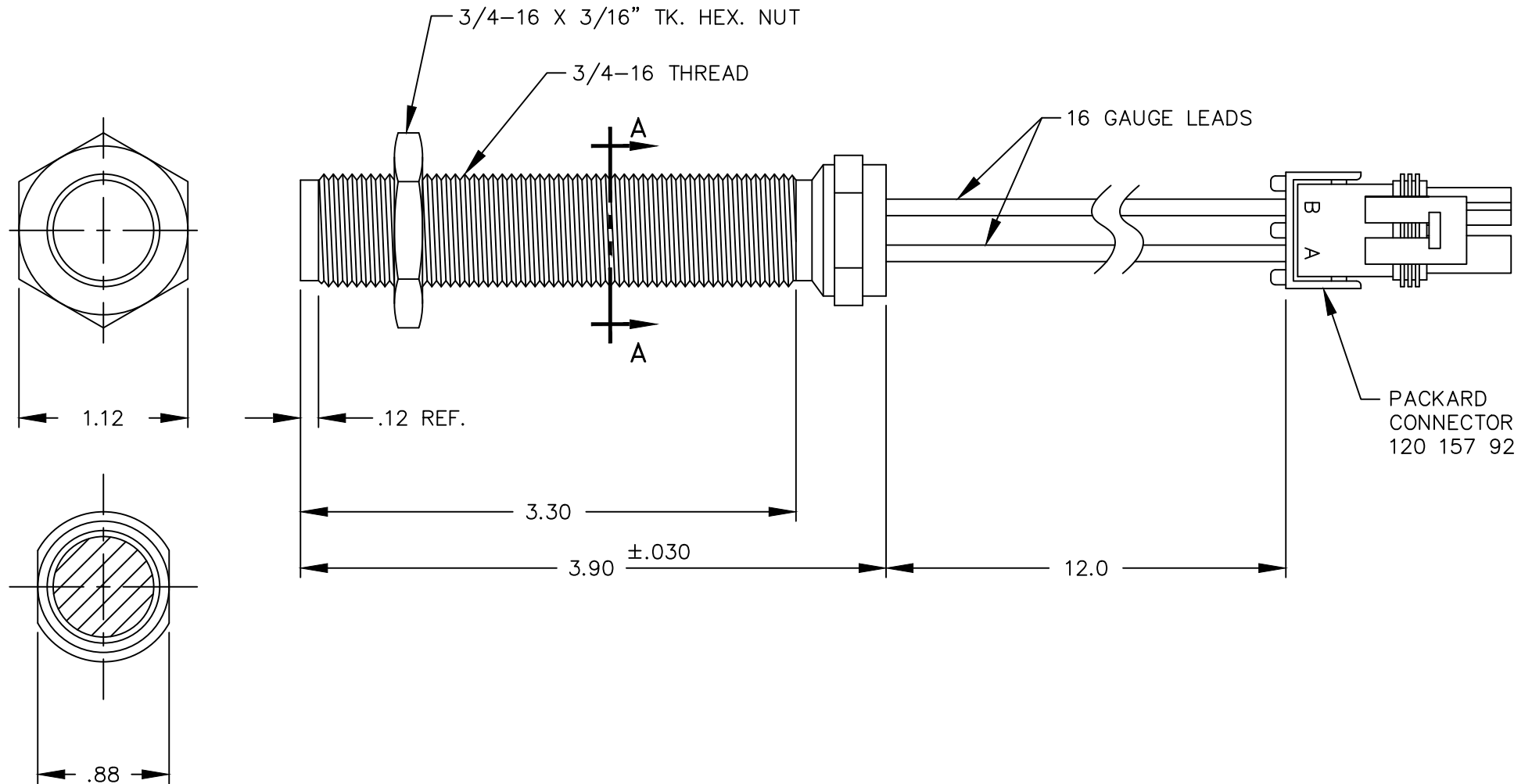
DECIMAL
.XXX - $\pm .005$
.XX - $\pm .010$

FRACTIONAL

MATERIAL

TITLE		SALES DRAWING PICKUP SENSOR		DRAWING NUMBER 791015-1S
DRAWN BY	WTP	SCALE	FULL	
CHECKED BY		DATE	2-4-91	
APPROVED BY				

791016-2S



SECTION A-A

REVISIONS

NO.	DATE	BY	DESCRIPTION
1	3-25-91	WTP	ADDED NUT
2	10-30-00	WTP	ECN 000070
3	10-14-02	WTP	ECN 020045
4			
5			

TOLERANCES (EXCEPT AS NOTED)	
DECIMAL	.XXX - ±.005 .XX - ±.010
FRACTIONAL	
MATERIAL	

TITLE		SALES DRAWING PICKUP SENSOR	
DRAWN BY	WTP	SCALE	FULL
CHECKED BY		DATE	2-7-91
APPROVED BY		DRAWING NUMBER	
		791016-2S	

SPECIFICATIONS:

SUPPLY VOLTAGE: 5 TO 8 VOLTS D.C.

SUPPLY CURRENT: 50 mA. MAX.

OUTPUT VOLTAGE @ 5 mA.: 1.0 VOLT MAX.

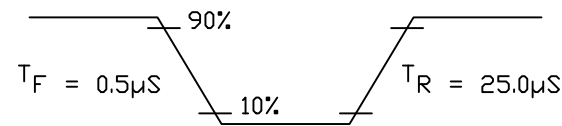
OUTPUT CURRENT SINKING 10 mA. MAX.

STORAGE AND OPERATING TEMP.: -40°C TO +125°C
-40°F TO +357°F

ENCAPSULATED IN GLASS-FILLED EPOXY SUITABLE FOR ENGINE OIL OR OTHER NON-CONDUCTIVE MEDIA ONLY.

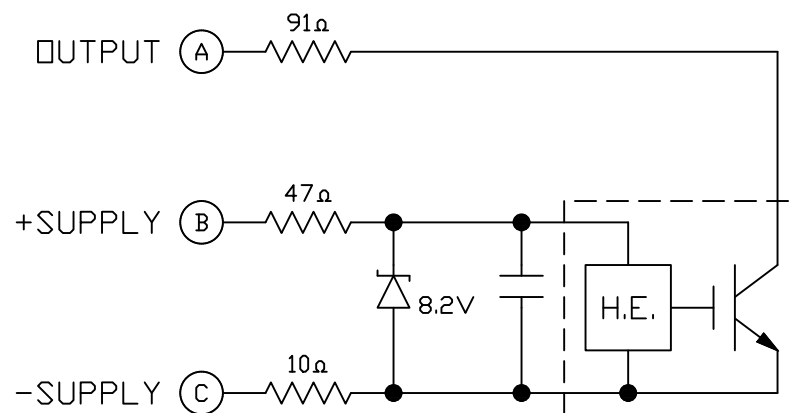
MAXIMUM OPERATING PRESSURE: 50 psi DIFFERENTIAL

TYPICAL OUTPUT WAVEFORM

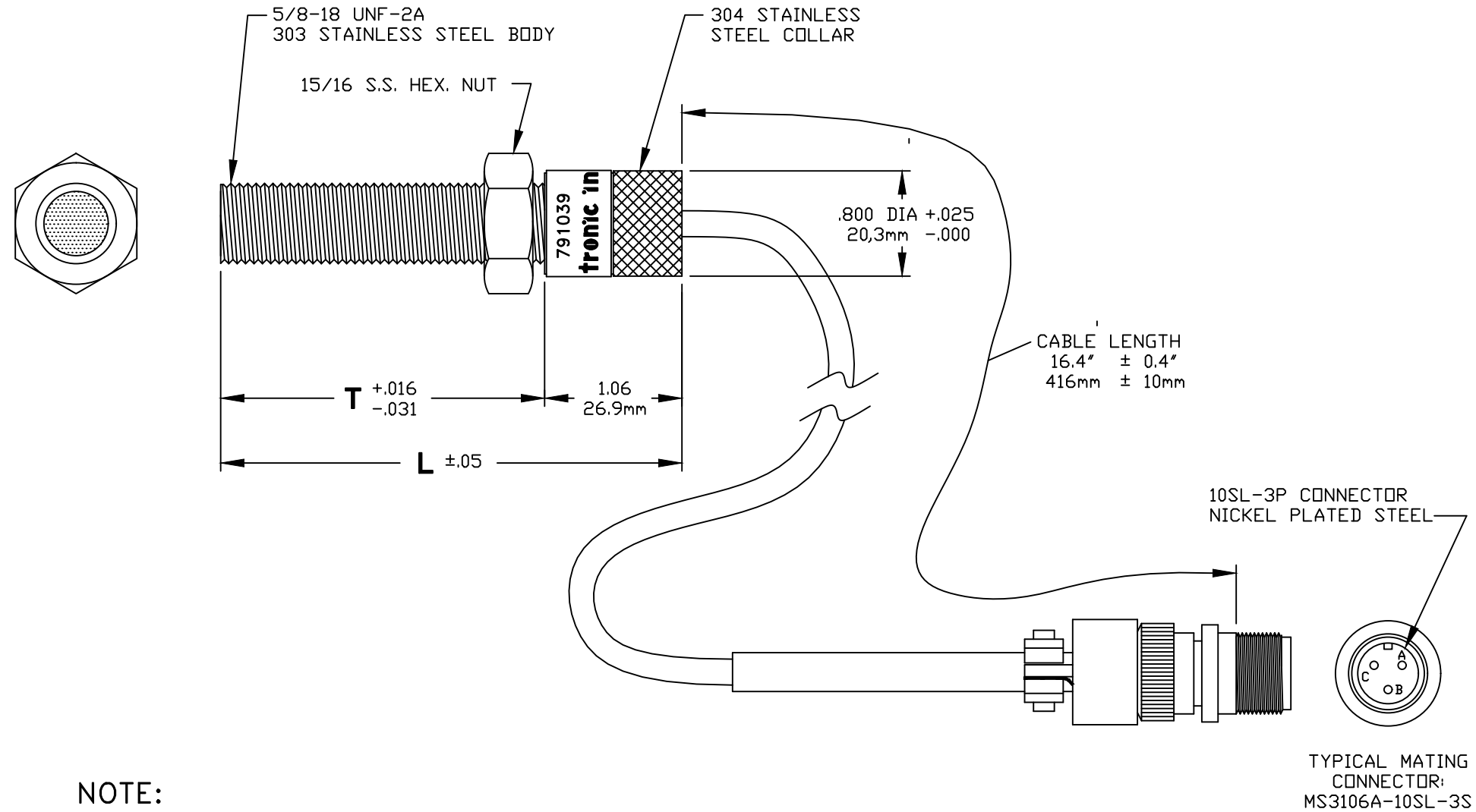


TRIGGERED BY THE NORTH POLE OF MAGNET 5 VOLT SUPPLY 1KΩ LOAD

SCHEMATIC



ALTRONIC P/N	T	L	CABLE LENGTH
791039-1	1.75"/44.5mm	2.81"/71.4mm	16.4"/416mm
791039-2	2.50"/63.5mm	3.56"/90.4mm	16.4"/416mm



NOTE:

1. NORTH POLE OF MAGNET MUST FACE SENSING END WITH AIR GAP OF .030/.040 (.76/1.0).
2. CENTERLINE OF MAGNET'S ROTATION MUST RUN THROUGH CENTERLINE OF PICKUP.

REVISIONS

NO.	DATE	BY	DESCRIPTION
1	2-10-21	JFD	ECN 210003
2			
3			
4			
5			

TOLERANCES (EXCEPT AS NOTED)

DECIMAL

FRACTIONAL

MATERIAL



TITLE SALES DRAWING, HALL EFFECT PICKUP WITH LEAD

DRAWN BY WTP SCALE .888 DRAWING NUMBER 791039-S
CHECKED BY DATE 6-22-99
APPROVED BY

791039-S

SPECIFICATIONS:

SUPPLY VOLTAGE: 5 TO 8 VOLTS D.C.

SUPPLY CURRENT: 50 mA. MAX.

OUTPUT VOLTAGE @ 5 ma.: 1.0 VOLT MAX.

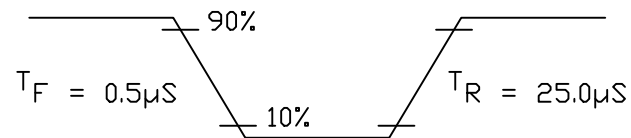
OUTPUT CURRENT SINKING 10 mA. MAX.

STORAGE AND OPERATING TEMP.: -40°C TO +125°C
-40°F TO +257°F

ENCAPSULATED IN GLASS-FILLED EPOXY SUITABLE FOR ENGINE OIL OR OTHER NON-CONDUCTIVE MEDIA ONLY.

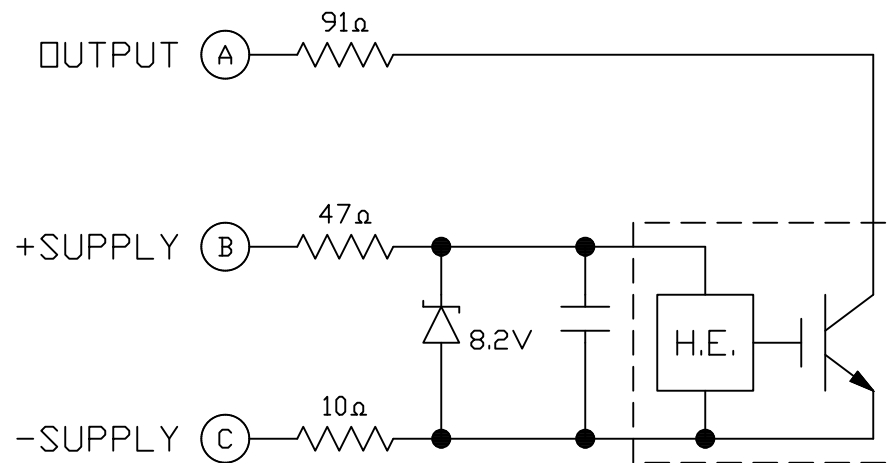
MAXIMUM OPERATING PRESSURE: 50 psi DIFFERENTIAL

TYPICAL OUTPUT WAVEFORM

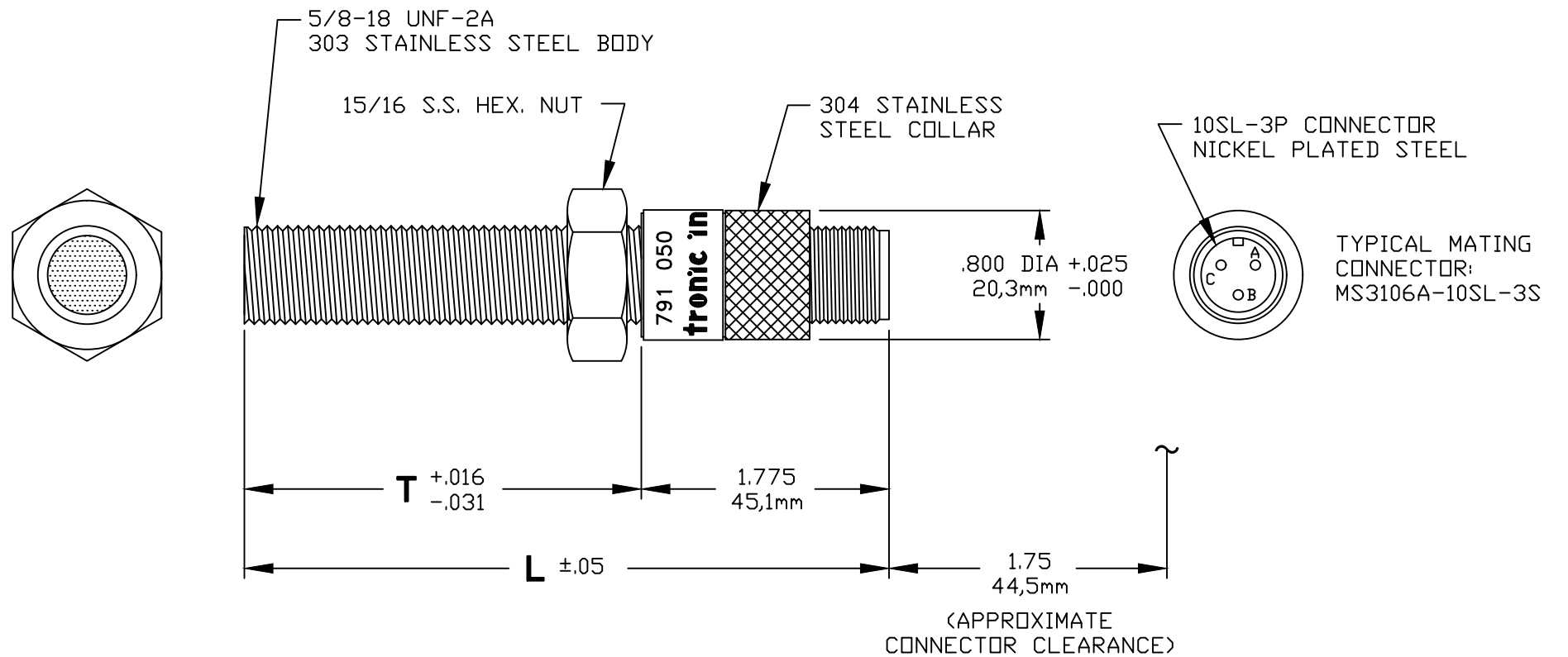


TRIGGERED BY THE NORTH POLE OF MAGNET 5 VOLT SUPPLY 1KΩ LOAD

SCHEMATIC



ALTRONIC P/N	T	L
791050-1	1.75"/44,5mm	3.525"/89.55mm
791050-2	2.50"/63,5mm	4.275"/108.59mm
791050-4	4.50"/114.3mm	6.275"/159.39mm
791050-6	6.00"/152.4mm	7.775"/197.49mm



NOTE:

1. NORTH POLE OF MAGNET MUST FACE SENSING END WITH AIR GAP OF .030/.040 (.76/1.0).
2. CENTERLINE OF MAGNET'S ROTATION MUST RUN THROUGH CENTERLINE OF PICKUP.

REVISIONS

NO.	DATE	BY	DESCRIPTION
2	4-9-90	DWA	ADD 791 050-6 TO CHART
3	11-6-96	WTP	ECN 960134
4	9-2-97	WTP	ECN 970105
5	7-5-01	GET	ECN 010057
6	10-29-20	JFD	ECN 200069 R1

TOLERANCES (EXCEPT AS NOTED)
DECIMAL
FRACTIONAL
MATERIAL



TITLE				SALES DRAWING, HALL EFFECT PICKUP	
DRAWN BY	DWA	SCALE	FULL	DRAWING NUMBER	
CHECKED BY		DATE	10-22-85	791050-S	
APPROVED BY					

791050-S