

**ALTRONIC DISN 800 "C" SERIES
MEDIUM ENGINES, 4-16 CYLINDERS**

**APPLICATION LIST
FORM DISN800C AL 1-96**

The following items are required for each installation:

A) DISN UNIT - 12-24 Vdc Powered, High Energy Output:

791 808-100C OPTION 1 UNIT, 4-8 cylinder applications (replaces 400 series units with 4-8 outputs)

791 812-100C OPTION 1 UNIT, 10-12 cylinder applications (replaces 400 series units with 10-12 outputs)

791 816-100C OPTION 2 UNIT, 4-16 cylinder applications, standard model

791 816-101C OPTION 2 UNIT, 4-16 cylinder applications, European model

NOTE: The letter in parenthesis (X) following the DISN unit part numbers in the listing is the Application Switch setting for that engine - see drawing on page 2.

B) WIRING HARNESS, UNSHIELDED (see listing):

793 008-6 Ref. 1 - 808 unit, 6 outputs, 180" length

793 008-8 Ref. 2 - 808 unit, 8 outputs, 180" length

793 012-6 Ref. 3 - 816 units, 6 outputs, 180" length

793 012-8A Ref. 4 - 816 units, 4 or 8 outputs, 180" length

793 012-12 Ref. 5 - 812/816 units, 12 outputs, 180" length

793 012-16 Ref. 6 - 816 units, 16 outputs, 180" length

C) MAGNET DISC - Two sizes are available (see listing):

790 104-1 4 + 1 magnets, 7.45" diameter

790 114-1 4 + 1 magnets, 5.00" diameter

790 105-1 5 + 1 magnets, 7.45" diameter

790 115-1 5 + 1 magnets, 5.00" diameter

790 106-1 6 + 1 magnets, 7.45" diameter

790 116-1 6 + 1 magnets, 5.00" diameter

790 108-1 8 + 1 magnets, 7.45" diameter

790 118-1 8 + 1 magnets, 5.00" diameter

790 120-1 10 + 1 magnets, 7.45" diameter

790 130-1 10 + 1 magnets, 5.00" diameter

790 122-1 12 + 1 magnets, 7.45" diameter

790 132-1 12 + 1 magnets, 5.00" diameter

D) HALL-EFFECT PICKUP SENSOR:

791 050-2 5/8"-18 thread X 2.50" threaded bushing length

791 050-4 5/8"-18 thread X 4.50" threaded bushing length

E) CABLE, HALL-EFFECT PICKUP:

793 007-2 60" length

793 007-4 80" length

793 007-5 120" length

F) IGNITION COIL - Unshielded, 1 per spark plug:

501 061 Standard

591 010 Long duration

G) CABLE, TIMING CONTROL (800 series only):

793 020-1 120" length

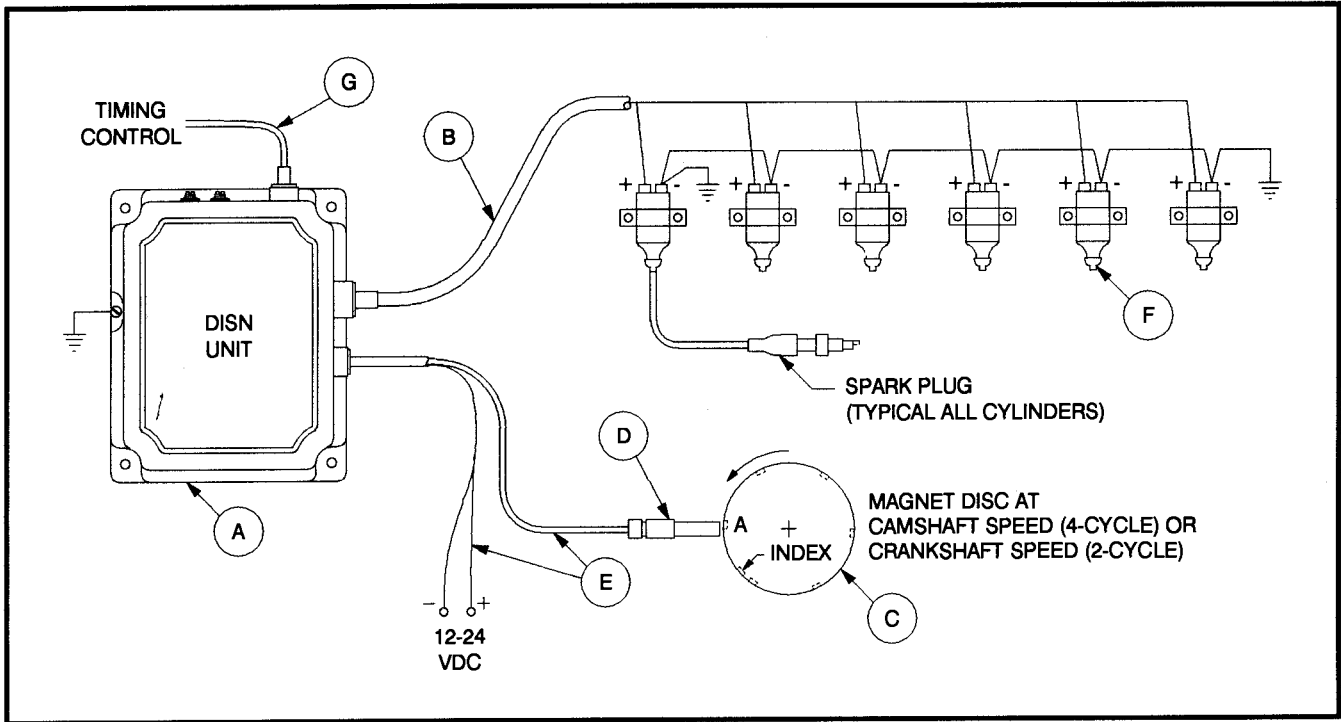
H) MAGNET DISC MOUNTING ADAPTOR - CATERPILLAR G379, G398, G399 ENGINES:

790 005 Kit - drive, pickup mounting and mounting adaptor

NOTE: Adapts the DISN magnet disc and pickup to the existing service meter drive on Caterpillar G379, G398, G399 engines. Requires installation of Caterpillar P/N 2N7425 housing if the engine has a right angle service meter drive.

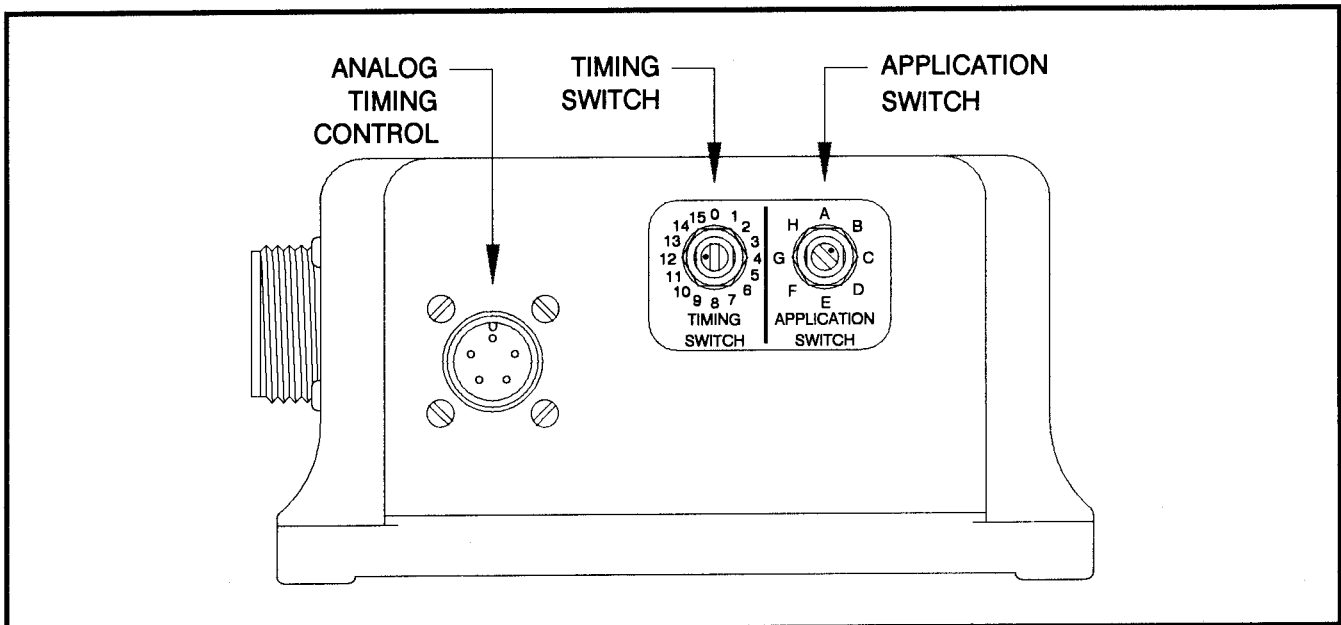
DISN SYSTEM DIAGRAM

The reference letters in the diagram refer to items listed on page 1.



DISN 800 "C" SERIES

The DISN 800 units feature multiple applications from a common unit, manual timing switch, and an analog timing input which can operate from 4-20 mA or a 0-1000 ohm potentiometer. See listing for the application switch setting.



**ALTRONIC DISN 800 "C" SERIES
MEDIUM ENGINES, 4-16 CYLINDERS**

**APPLICATION LIST
FORM DISN800C AL 1-96**

ENGINE / MODEL NO.	----- OPTION 1 UNIT -----			----- OPTION 2 UNIT -----			Qty. Ign. Coils
	Item A DISN Unit	Item B Harness	Item C Disc	Item A DISN Unit	Item B Harness	Item C Disc	

CATERPILLAR

G379	791 812-100C (A)	Ref. 5	12+1	791 816-100C (C)	Ref. 5	12+1	8
G398	791 812-100C (A)	Ref. 5	12+1	791 816-100C (C)	Ref. 5	12+1	12
G399	—	—	—	791 816-100C (D)	Ref. 6	8+1	16
G3304	791 808-100C (A)	Ref. 1	4+1	791 816-100C (B)	Ref. 4	8+1	4
G3306	791 808-100C (C)	Ref. 1	6+1	791 816-100C (A)	Ref. 3	6+1	6
G3406	791 808-100C (C)	Ref. 1	6+1	791 816-100C (A)	Ref. 3	6+1	6
G3408	791 808-100C (D)	Ref. 2	8+1	791 816-100C (B)	Ref. 4	8+1	8
G3412	791 812-100C (C)	Ref. 5	12+1	791 816-100C (F)	Ref. 5	12+1	12
G3508	791 808-100C (D)	Ref. 2	8+1	791 816-100C (B)	Ref. 4	8+1	8
G3512	791 812-100C (A)	Ref. 5	12+1	791 816-100C (C)	Ref. 5	12+1	12
G3516	—	—	—	791 816-100C (D)	Ref. 6	8+1	16

CLARK

HMA, HMAB, TMB	- 4	791 808-100C (A)	Ref. 1	4+1	791 816-100C (B)	Ref. 4	8+1	4
	- 6	791 808-100C (C)	Ref. 1	6+1	791 816-100C (A)	Ref. 3	6+1	6
	- 8	—	—	—	791 816-100C (B)	Ref. 6	8+1	8
	- 10	791 812-100C (A)	Ref. 5	10+1	791 816-100C (E)	Ref. 5	10+1	10
RA, HRA, HRA-T	- 4	791 808-100C (A)	Ref. 1	4+1	791 816-100C (B)	Ref. 4	8+1	8
	- 5	791 808-100C (B)	Ref. 5	5+1	791 816-100C (E)	Ref. 5	10+1	10
	- 6	791 808-100C (C)	Ref. 1	6+1	791 816-100C (A)	Ref. 3	6+1	12
	- 8	791 808-100C (D)	Ref. 2	8+1	791 816-100C (B)	Ref. 4	8+1	16

COOPER BESSEMER

Horizontal (TTDA) - Type 19	791 808-100C (D)	Ref. 2	8+1	791 816-100C (B)	Ref. 4	8+1	16	
	- Type 22	791 808-100C (D)	Ref. 2	8+1	791 816-100C (B)	Ref. 4	8+1	16
	- Type 26	791 808-100C (D)	Ref. 2	8+1	791 816-100C (B)	Ref. 4	8+1	16

CUMMINS

G495 Series	791 808-100C (A)	Ref. 1	4+1	791 816-100C (B)	Ref. 4	8+1	4
G743 Series	791 808-100C (C)	Ref. 1	6+1	791 816-100C (A)	Ref. 3	6+1	6
G855 Series	791 808-100C (C)	Ref. 1	6+1	791 816-100C (A)	Ref. 3	6+1	6
G1150 Series	791 808-100C (C)	Ref. 1	6+1	791 816-100C (A)	Ref. 3	6+1	6
G1710 Series	791 812-100C (D)	Ref. 5	6+1	—	—	—	12

DORMAN

6SETCWG	791 808-100C (C)	Ref. 1	6+1	—	—	—	6
8SETCWG	791 808-100C (D)	Ref. 2	8+1	—	—	—	8
12SETCWG	791 812-100C (A)	Ref. 5	12+1	791 816-101C (C)	Ref. 5	12+1	12
16SETCWG	—	—	—	791 816-101C (D)	Ref. 6	8+1	16

**ALTRONIC DISN 800 "C" SERIES
MEDIUM ENGINES, 4-16 CYLINDERS**

**APPLICATION LIST
FORM DISN800C AL 1-96**

ENGINE / MODEL NO.	----- OPTION 1 UNIT -----			----- OPTION 2 UNIT -----			QTY. IGN. Coils	
	Item A DISN Unit	Item B Harness	Item C Disc	Item A DISN Unit	Item B Harness	Item C Disc		
INGERSOLL RAND								
JVG	- 4	791 812-100C (A)	Ref. 5	12+1	791 816-100C (C)	Ref. 5	12+1	4
	- 6	791 812-100C (A)	Ref. 5	12+1	791 816-100C (C)	Ref. 5	12+1	6
	- 8	—	—	—	791 816-100C (D)	Ref. 6	8+1	8
KVG	- 48	—	—	—	791 816-100C (B)	Ref. 6	8+1	8
	- 82	—	—	—	791 816-100C (B)	Ref. 6	8+1	8
	- 83	—	—	—	791 816-100C (B)	Ref. 6	8+1	8
PVG, XVG	- 4	791 812-100C (A)	Ref. 5	12+1	791 816-100C (C)	Ref. 5	12+1	4
	- 6	791 812-100C (A)	Ref. 5	12+1	791 816-100C (C)	Ref. 5	12+1	6
	- 8	791 812-100C (A)	Ref. 5	12+1	791 816-100C (C)	Ref. 5	12+1	8
SVG	- 6	791 812-100C (A)	Ref. 5	12+1	791 816-100C (C)	Ref. 5	12+1	6
	- 8	—	—	—	791 816-100C (D)	Ref. 6	8+1	8
	- 12	791 812-100C (A)	Ref. 5	12+1	791 816-100C (C)	Ref. 5	12+1	12

JENBACHER (see note 2)

J206	791 808-100C (C)	Ref. 1	6+1	791 816-101C (A)	Ref. 3	6+1	6
J208	791 808-100C (D)	Ref. 2	8+1	791 816-101C (B)	Ref. 4	8+1	8
J212,J312	—	—	—	791 816-101C (G)	Ref. 5	12+1	12
J216,J316	—	—	—	791 816-101C (H)	Ref. 6	8+1	16
J612	—	—	—	791 816-101C (C)	Ref. 5	12+1	12
J616	—	—	—	791 816-101C (D)	Ref. 6	8+1	16
JW120	791 808-100C (C)	Ref. 1	6+1	791 816-101C (A)	Ref. 3	6+1	6
JW160	791 808-100C (D)	Ref. 2	8+1	791 816-101C (B)	Ref. 4	8+1	8
JW240	—	—	—	791 816-101C (G)	Ref. 5	12+1	12
JW320	—	—	—	791 816-101C (H)	Ref. 6	8+1	16

MAN

E2542E	791 812-100C (B)	Ref. 5	6+1	791 816-101C (F)	Ref. 5	6+1	12
E2566E	791 808-100C (C)	Ref. 1	6+1	791 816-101C (A)	Ref. 3	6+1	6
E2842E	791 812-100C (B)	Ref. 5	6+1	791 816-101C (F)	Ref. 5	6+1	12
E2866E	791 808-100C (C)	Ref. 1	6+1	791 816-101C (A)	Ref. 3	6+1	6

M.E.P.

M.E.P.	- 6	791 808-100C (C)	Ref. 1	6+1	791 816-100C (A)	Ref. 3	6+1	12
	- 8	791 808-100C (D)	Ref. 2	8+1	791 816-100C (B)	Ref. 4	8+1	16
	- 10	—	—	—	791 816-100C (E)	Ref. 5	10+1	20
	- 12	791 812-100C (A)	Ref. 5	12+1	791 816-100C (C)	Ref. 5	12+1	24

**ALTRONIC DISN 800 "C" SERIES
MEDIUM ENGINES, 4-16 CYLINDERS**

**APPLICATION LIST
FORM DISN800C AL 1-96**

ENGINE / MODEL NO.	----- OPTION 1 UNIT -----			----- OPTION 2 UNIT -----			QTY. IGN. Coils
	Item A DISN Unit	Item B Harness	Item C Disc	Item A DISN Unit	Item B Harness	Item C Disc	

MWM-DEUTZ

G232	V6	791 812-100C (A)	Ref. 5	12 + 1	791 816-101C (C)	Ref. 5	12 + 1	6
	V8	791 812-100C (A)	Ref. 5	12 + 1	791 816-101C (C)	Ref. 5	12 + 1	8
	V12	791 812-100C (A)	Ref. 5	12 + 1	791 816-101C (C)	Ref. 5	12 + 1	12
G604 (see note 3)	L6	—	—	—	791 816-101C (A)	Ref. 3	6 + 1	6
	V8	—	—	—	791 816-101C (B)	Ref. 4	8 + 1	8
	V12	—	—	—	791 816-101C (F)	Ref. 5	6 + 1	12
	V16	—	—	—	791 816-101C (B)	Ref. 6	8 + 1	16

PERKINS

2006	791 808-100C (C)	Ref. 1	6 + 1	—	—	—	6
2008	791 808-100C (D)	Ref. 2	8 + 1	—	—	—	8
3012	791 812-100C (A)	Ref. 5	12 + 1	791 816-101C (C)	Ref. 5	12 + 1	12
4006	791 808-100C (C)	Ref. 1	6 + 1	—	—	—	6
4008	791 808-100C (D)	Ref. 2	8 + 1	—	—	—	8
4012	791 812-100C (A)	Ref. 5	12 + 1	791 816-101C (C)	Ref. 5	12 + 1	12
4016	—	—	—	791 816-101C (D)	Ref. 6	8 + 1	16

SUPERIOR

6G825	791 808-100C (C)	Ref. 1	6 + 1	791 816-100C (A)	Ref. 3	6 + 1	6
6GT825	791 808-100C (C)	Ref. 1	6 + 1	791 816-100C (A)	Ref. 3	6 + 1	6
6GTL	791 808-100C (C)	Ref. 1	6 + 1	791 816-100C (A)	Ref. 3	6 + 1	6
8G825	791 808-100C (D)	Ref. 2	8 + 1	791 816-100C (B)	Ref. 4	8 + 1	8
8GT825	791 808-100C (D)	Ref. 2	8 + 1	791 816-100C (B)	Ref. 4	8 + 1	8
8GTL	791 808-100C (D)	Ref. 2	8 + 1	791 816-100C (B)	Ref. 4	8 + 1	8
12G825	—	—	—	791 816-100C (G)	Ref. 5	6 + 1	12
12GT825	—	—	—	791 816-100C (G)	Ref. 5	6 + 1	12
12GTL	—	—	—	791 816-100C (G)	Ref. 5	6 + 1	12
16G825	—	—	—	791 816-100C (H)	Ref. 6	8 + 1	16
16GT825	—	—	—	791 816-100C (H)	Ref. 6	8 + 1	16
16GTL	—	—	—	791 816-100C (H)	Ref. 6	8 + 1	16

**ALTRONIC DISN 800 "C" SERIES
MEDIUM ENGINES, 4-16 CYLINDERS**

**APPLICATION LIST
FORM DISN800C AL 1-96**

ENGINE / MODEL NO.	----- OPTION 1 UNIT -----			----- OPTION 2 UNIT -----			QTY. IGN. Coils
	Item A DISN Unit	Item B Harness	Item C Disc	Item A DISN Unit	Item B Harness	Item C Disc	

WARTSILA SACM

6L150SG	791 808-100C (C)	Ref. 1	6 + 1	791 816-101C (A)	Ref. 3	6 + 1	6
12V150SG	—	—	—	791 816-101C (E)	Ref. 5	12 + 1	12
12V175SG	—	—	—	791 816-101C (C)	Ref. 5	12 + 1	12
16V175SG	—	—	—	791 816-101C (D)	Ref. 6	8 + 1	16
UD25L6G	791 808-100C (C)	Ref. 1	6 + 1	791 816-101C (A)	Ref. 3	6 + 1	6
UD25V12G	—	—	—	791 816-101C (E)	Ref. 5	12 + 1	12
UD30V12G	—	—	—	791 816-101C (C)	Ref. 5	12 + 1	12
UD30V16G	—	—	—	791 816-101C (D)	Ref. 6	8 + 1	16

WAUKESHA

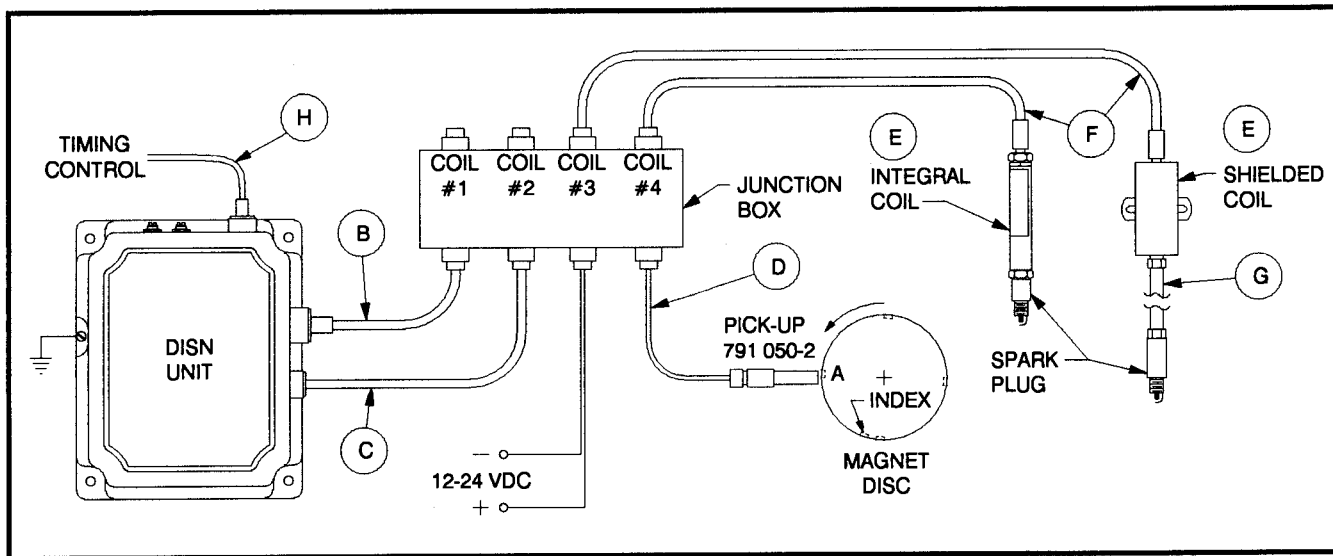
F817G	791 808-100C (C)	Ref. 1	6 + 1	791 816-100C (A)	Ref. 3	6 + 1	6
F1197G	791 808-100C (C)	Ref. 1	6 + 1	791 816-100C (A)	Ref. 3	6 + 1	6
F1905G	791 808-100C (C)	Ref. 1	6 + 1	791 816-100C (A)	Ref. 3	6 + 1	6
F2895G series	791 808-100C (C)	Ref. 1	6 + 1	791 816-100C (A)	Ref. 3	6 + 1	6
F3521G series	791 808-100C (C)	Ref. 1	6 + 1	791 816-100C (A)	Ref. 3	6 + 1	6
H2475G	791 812-100C (A)	Ref. 5	12 + 1	791 816-100C (C)	Ref. 5	12 + 1	8
H2476G	791 812-100C (A)	Ref. 5	12 + 1	791 816-100C (C)	Ref. 5	12 + 1	8
L3711G	791 812-100C (A)	Ref. 5	12 + 1	791 816-100C (C)	Ref. 5	12 + 1	12
L3712G	791 812-100C (A)	Ref. 5	12 + 1	791 816-100C (C)	Ref. 5	12 + 1	12
L5108G series	791 812-100C (A)	Ref. 5	12 + 1	791 816-100C (C)	Ref. 5	12 + 1	12
L5790G series	791 812-100C (A)	Ref. 5	12 + 1	791 816-100C (C)	Ref. 5	12 + 1	12
L7042G series	791 812-100C (A)	Ref. 5	12 + 1	791 816-100C (C)	Ref. 5	12 + 1	12
P9390G series	—	—	—	791 816-100C (D)	Ref. 6	8 + 1	16

NOTES:

- 1 - Application switch positions A, B, C and D are the same on 800 series units 791 816-100C and 791 816-101C. Applications using these switch positions can use either unit.
- 2 - OEM applications on Jenbacher engines using DISN units 791 816-053B or 791 816-056B should use 791 816-056C as replacement; if using DISN unit 791 816-103A, use 791 816-103C as replacement.
- 3 - OEM applications on MWM G604B and G604C series using DISN units 791 412-202, 791 416-102 or 791 816-102A should use unit no. 791 816-102C as a replacement.

SHIELDED SYSTEM

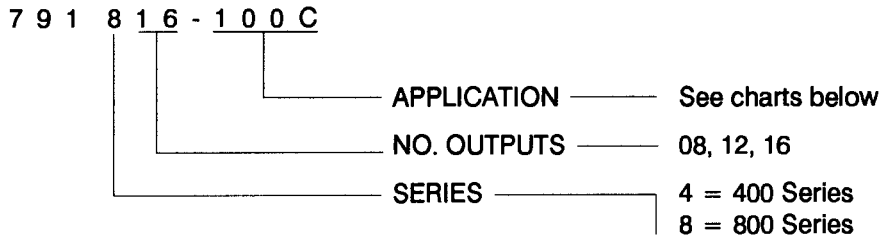
- A) The following parts are the same for an unshielded or shielded system:
DISN UNIT, MAGNET DISC, HALL-EFFECT PICKUP SENSOR
- B) SHIELDED HARNESS - DISN unit to junction box (see listing):
 793 014-6 Ref. 1 - 808 units, 6 outputs, 48" length, 180° connector
 793 014-8 Ref. 2 - 808 units, 8 outputs, 48" length, 180° connector
 793 015-6 Ref. 3 - 816 units, 6 outputs, 48" length, 180° connector
 793 015-8A Ref. 4 - 816 units, 4 or 8 outputs, 48" length, 180° connector
 793 015-12 Ref. 5 - 812/816 units, 12 outputs, 48" length, 180° connector
 793 015-16 Ref. 6 - 816 units, 16 outputs, 48" length, 180° connector
- C) SHIELDED CABLE - DISN unit to junction box:
 793 013-1 48" length
- D) SHIELDED PICKUP CABLE - Pickup sensor to junction box:
 593 052-24 24" length
 593 052-36 36" length
- E) IGNITION COILS - See Application Guide, form AIS AG:
 501 061-S series Shielded coil, standard
 591 010-S series Shielded coil, long duration
 591 007 series Integral coil, 1"-20 male thread
 591 011A series Integral coil, 13/16"-20 female thread
 591 011B series Integral coil, 13/16"-20 female thread
- F) SHIELDED PRIMARY CABLE ASSEMBLIES - coil to junction box:
 593 022 series 180° connector
 593 027 series 90° connector
 See Application Guide, form AIS AG, for available lengths.
- G) SHIELDED SPARK PLUG LEAD ASSEMBLIES (FOR 501 061-S, 591 010-S COILS):
 593 020 series 10", 13", 16", 18" - 1" spark plug connector
 593 030 series 10", 13", 16", 18" - 2" spark plug connector
- H) SHIELDED CONTROL CABLE - DISN unit to junction box (800 series only):
 793 044-24 24" length



**ALTRONIC DISN 800 "C" SERIES
MEDIUM ENGINES, 4-16 CYLINDERS**

**IDENTIFICATION
FORM DISN800C AL 1-96**

ALTRONIC DISN UNIT PART NO. DESIGNATION



DISN UNIT FIRING PATTERNS (CAMSHAFT DEGREES)

DISN UNIT 791 808-100C:

APPLICATION SWITCH	NO. OF OUTPUTS	MAGNET DISC	FIRING PATTERN
A	4	4+1	90°
B	5	5+1	72°
C	6	6+1	60°
D	8	8+1	45°

DISN UNIT 791 812-100C:

APPLICATION SWITCH	NO. OF OUTPUTS	MAGNET DISC	FIRING PATTERN
A	12	12+1	30°
B	12	6+1	15°-45°
C	12	12+1	27.5°-32.5°
D	12	6+1	20°-40°
E	10	5+1	27°-45°
F	12	6+1	28°-42°

DISN UNIT 791 816-100C:

APPLICATION SWITCH	NO. OF OUTPUTS	MAGNET DISC	FIRING PATTERN
A	6	6+1	60°
B	16	8+1	22.5°
C	12	12+1	30°
D	16	8+1	15°-30°
E	10	10+1	36°
F	12	12+1	27.5°-32.5°
G	12	6+1	24°-36°
H	16	8+1	21°-24°

DISN UNIT 791 816-101C:

APPLICATION SWITCH	NO. OF OUTPUTS	MAGNET DISC	FIRING PATTERN
A	6	6+1	60°
B	16	8+1	22.5°
C	12	12+1	30°
D	16	8+1	15°-30°
E	12	12+1	37.5°-22.5°
F	12	6+1	15°-45°
G	12	12+1	25°-35°
H	16	8+1	10°-35°

**ALTRONIC DISN 800 "C" SERIES
MEDIUM ENGINES, 4-16 CYLINDERS**

**IDENTIFICATION
FORM DISN800C AL 1-96**

UNSHIELDED HARNESSSES

PART NO.	CONNECTOR / PINS	CYLS. / L1*	APPLICATION	NOTES
793 007-2	180° / 6	- / 60"	pickup cable	b
793 007-4	180° / 6	- / 80"	pickup cable	b
793 007-5	180° / 6	- / 120"	pickup cable	b
793 008-6	180° / 10	6 / 180"	harness	b
793 008-8	180° / 10	8 / 180"	harness	b
793 012-6	180° / 19	6 / 180"	harness	b
793 012-8A	180° / 19	8 / 180"	harness	b
793 012-12	180° / 19	12 / 180"	harness	b
793 012-16	180° / 19	16 / 180"	harness	b
793 020-1	180° / 5	- / 120"	control cable	b

SHIELDED HARNESSSES

PART NO.	CONNECTOR / PINS	CYLS. / L1* / L2*	APPLICATION	NOTES
593 052-24	180° / 3	- / 300" / 24"	pickup cable	b
593 052-36	180° / 3	- / 300" / 36"	pickup cable	b
793 013-1	180° / 6	- / 58" / 48"	DISN to J-box	b
793 014-6	180° / 10	6 / 180" / 48"	DISN to J-box	b
793 014-8	180° / 10	8 / 180" / 48"	DISN to J-box	b
793 015-8A	180° / 19	8 / 180" / 48"	DISN to J-box	b
793 015-12	180° / 19	12 / 180" / 48"	DISN to J-box	b
793 015-18	180° / 19	16 / 180" / 48"	DISN to J-box	b
793 044-24	180° / 5	- / 180" / 24"	DISN to J-box	b

NOTES:

b) All 180 degree connectors are potted type.

* L1 = length of 16 ga. conductor
L2 = length of conduit on shielded harnesses